



ELECTRONICS

TO :

Date : 2002. 09. 26.

*SAMSUNG TFT-LCD*  
**MODEL NO. : LTA260W1-L01**

Note:  
\_\_\_\_\_  
\_\_\_\_\_  
\_\_\_\_\_  
\_\_\_\_\_

*Any Modification of Spec is not allowed without SEC's permission.*

**Samsung Electronics Co . , LTD.**



**Contents**

Revision History	-----	(3)
General Description	-----	(4)
1. Absolute Maximum Ratings	-----	(5)
1.1 Absolute Ratings Of Environment		
1.2 Electrical Absolute Ratings		
2. Optical Characteristics	-----	(7)
3. Electrical Characteristics	-----	(11)
3.1 TFT LCD Module		
3.2 Back-light Unit		
4. Block Diagram	-----	(14)
4.1 TFT LCD Module		
4.2 Back-light Unit		
5. Input Terminal Pin Assignment	-----	(15)
5.1 Input Signal & Power		
5.2 LVDS Interface		
5.3 Inverter Unit		
5.4 Input Signals, Basic Display Colors and Gray Scale of Each Color		
6. Interface Timing	-----	(19)
6.1 Timing Parameters (DE only mode)		
6.2 Timing Diagrams of interface Signal (DE only mode)		
6.3 Power ON/OFF Sequence		
7. Outline Dimension	-----	(22)
8. General Precautions	-----	(23)

**\* Revision History**

No	Date	Page	Befor change	After change	Remark
0.0	2002.09.26	All	First issued		

## General Description

### \* Description

LTA260W1-L01 is a color active matrix TFT (Thin Film Transistor) liquid crystal display (LCD) that uses amorphous silicon TFTs as a switching devices. This model is composed of a TFT LCD panel, a driver circuit and a back-light system. The resolution of a 26.0" contains 1280 x 768 pixels and can display up to 16.7 million colors with wide viewing angle of 85° or higher in all directions.

### \* Features

- High contrast ratio, high aperture structure
- PVA(Patterned Vertical Align) mode
- Wide viewing angle( $\pm 170^\circ$  )
- High speed response
- WXGA(1280 x 768 pixels) resolution (15:9)
- Low Power consumption
- Direct Type 16 CCFT( Cold Cathode Fluorescent Tube)
- DE only mode
- LVDS(Low-Voltage Differential Signal) interface.(1pixel/clock)

### \* Applications

Home-alone Multimedia TFT-LCD TV  
 Display terminals for AV application products  
 High Definition TV (HD TV)

### \* General information

Items	Specification	Unit	Note
Display area	566.4(H) × 339.84(V)	mm	
Driver element	a-Si TFT active matrix		
Display colors	16.7M(true)	colors	
Number of pixels	1280 x 768	pixel	15:9
Pixel arrangement	RGB Vertical Stripe		
Pixel pitch	0.4425(H) × 0.4425(W)	mm	
Display mode	Normally Black		
Surface treatment	Haze 44% , Hard-Coating (3H)		

**\* Mechanical information (Panel Module Only)**

Item		Min.	Typ.	Max.	Note
Module size	Horizontal(H)	-	627.0	-	mm
	Vertical(V)	-	389.0	-	mm
	Depth(D)	-	53.0	-	mm
Weight		-	-	8000	g

**1. Absolute Maximum Ratings**

1.1 Absolute ratings of environment

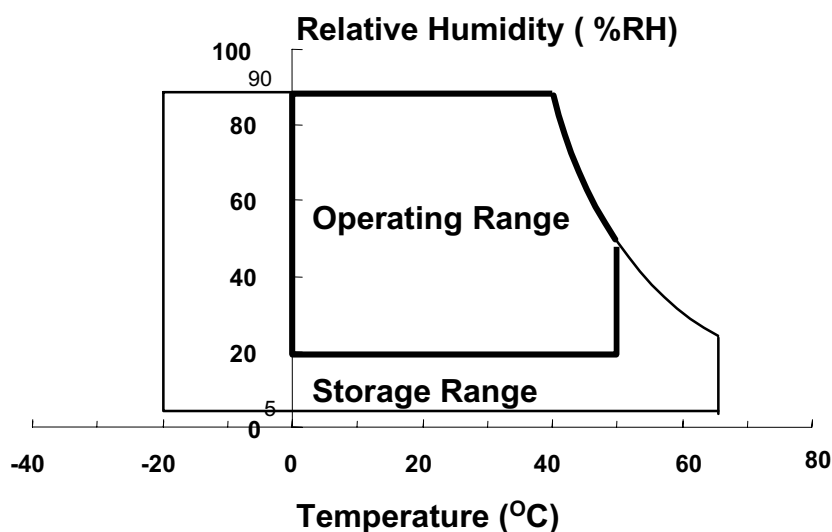
Item	Symbol	Min.	Max.	Unit	Note
Storage temperature	T <sub>STG</sub>	-20	65	°C	(1)
Operating temperature (Ambient temperature)	T <sub>OPR</sub>	0	50	°C	(1)
Shock ( non - operating )	Snop	-	50	G	(2),(4)
Vibration ( Non - operating )	Vnop	-	1.0	G	(3),(4)

Note (1) Temperature and relative humidity range are shown in the figure below.

90 % RH Max. ( 40 °C ≥ Ta )

Maximum wet-bulb temperature at 39 °C or less. (Ta > 40 °C) No condensation.

- (2) 11ms, sine wave, 1 time for ±X, ±Y, ±Z axis
- (3) 10-300 Hz, Sweep rate 10min, 30min for X,Y,Z axis
- (4) At testing Vibration and Shock, the fixture in holding the Module to be tested have to be hard and rigid enough so that the Module would not be twisted or bent by the fixture.



## 1.2 ELECTRICAL ABSOLUTE RATINGS

## (1) TFT LCD Module

(V<sub>SS</sub> = GND = 0 V)

Item	Symbol	Min.	Max.	Unit	Note
Power Supply Voltage	VDD	V <sub>SS</sub> -0.5	6.5	V	(1)

NOTE (1) Within Ta ( 25 ± 2 °C)

## (2) BACK-LIGHT UNIT

(Ta = 25 ± 2°C)

Item	Symbol	Min.	Max.	Unit.	Note
Lamp Current	I <sub>L</sub>	4.0	7.0	mArms	(1),(2)
Lamp Frequency	F <sub>L</sub>	25	100	kHz	(1)

NOTE (1) Permanent damage to the device may occur if maximum values are exceeded.  
Functional operation should be restricted to the conditions described under  
Normal Operating Conditions.

(2) Specified values are for a single lamp.

## 2. Optical Characteristics

The following items are measured under stable conditions. The optical characteristics should be measured in a dark room or equivalent state with the methods shown in Note (1).

◆ Measuring equipment : TOPCON BM-5A , BM-7, PHOTO RESEARCH PR650  
EZ-Contrast (Eldim)

\*  $T_a = 25 \pm 2^\circ\text{C}$  ,  $V_{DD}=5\text{V}$ ,  $f_v=60\text{Hz}$ ,  $f_{DCLK}=65\text{ MHz}$ ,  $I_L = 5.5\text{mA}_{rms}$

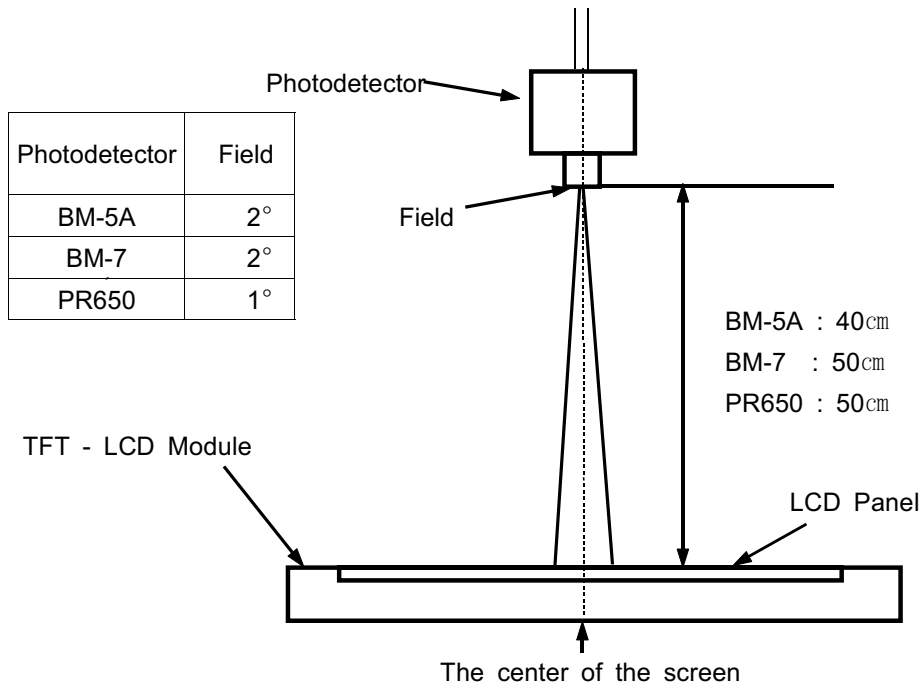
Item	Symbol	Condition	Min.	Typ.	Max.	Unit	Note
Contrast Ratio (Center of screen)	C/R		400	500	-		(3) BM-5A
Response Time	Rising	Tr	-	15	18	msec	(4) BM-7
	Falling	Tf	-	8	11		
Luminance of White (Center of screen)	YL	Normal $\phi = 0$ $\theta = 0$	400	450	-	cd/m <sup>2</sup>	(5) BM-5A
Color Chromaticity (CIE 1931)	Red	Rx	Viewing Angle	TBD	TYP. -0.03	TYP. +0.03	(6) PR650
		Ry		TBD			
	Green	Gx		TBD			
		Gy		TBD			
	Blue	Bx		TBD			
		By		TBD			
	White	Wx		0.280			
		Wy		0.290			
Viewing Angle	Hor.	$\theta L$	75	85	-	Degrees	(7) BM-5A
		$\theta R$	75	85	-		
	Ver.	$\phi H$	75	85	-		
		$\phi L$	75	85	-		
Brightness Uniformity (9 points)	Buni		-	-	25	%	(8) BM-5A

Note 1) Test Equipment Setup

After stabilizing and leaving the panel alone at a given temperature for 30 min ,the measurement should be executed. Measurement should be executed in a stable, windless, and dark room. 30 min after lighting the back-light. This should be measured in the center of screen.

A single lamp current : 5.5mA

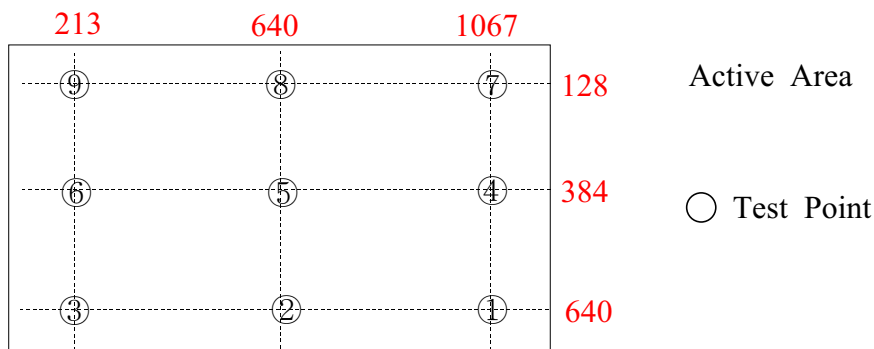
Environment condition :  $T_a = 25 \pm 2 \text{ } ^\circ\text{C}$



Photodetector	Field
BM-5A	2°
BM-7	2°
PR650	1°

Optical Measuring Equipment Setup

Note 2) Definition of test point





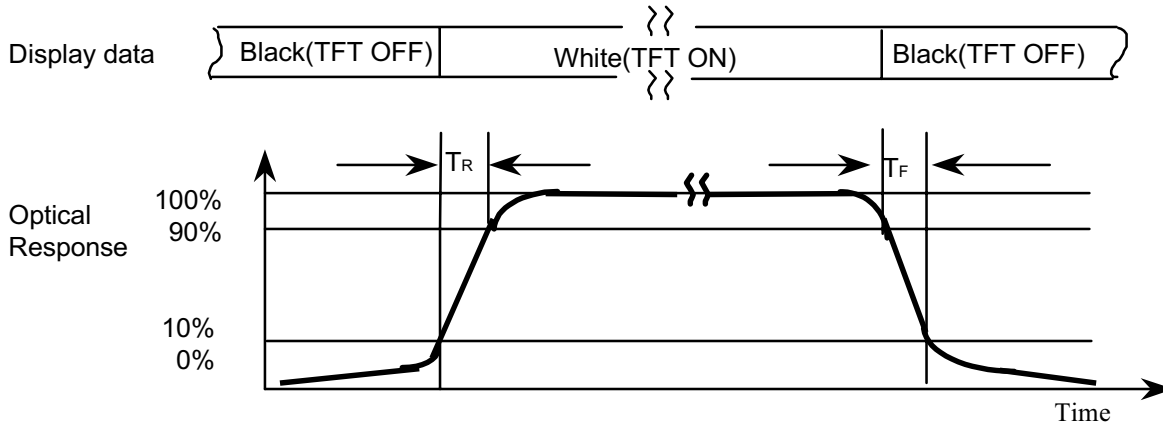
Note 3) Definition of Contrast Ratio (C/R) : Ratio of gray max (Gmax) & gray min (Gmin) at the center point(5) of the panel

$$CR = \frac{G \text{ max}}{G \text{ min}}$$

Gmax : Luminance with all pixels white

Gmin : Luminance with all pixels black

Note 4) Definition of Response time : Sum of  $T_r$  ,  $T_f$

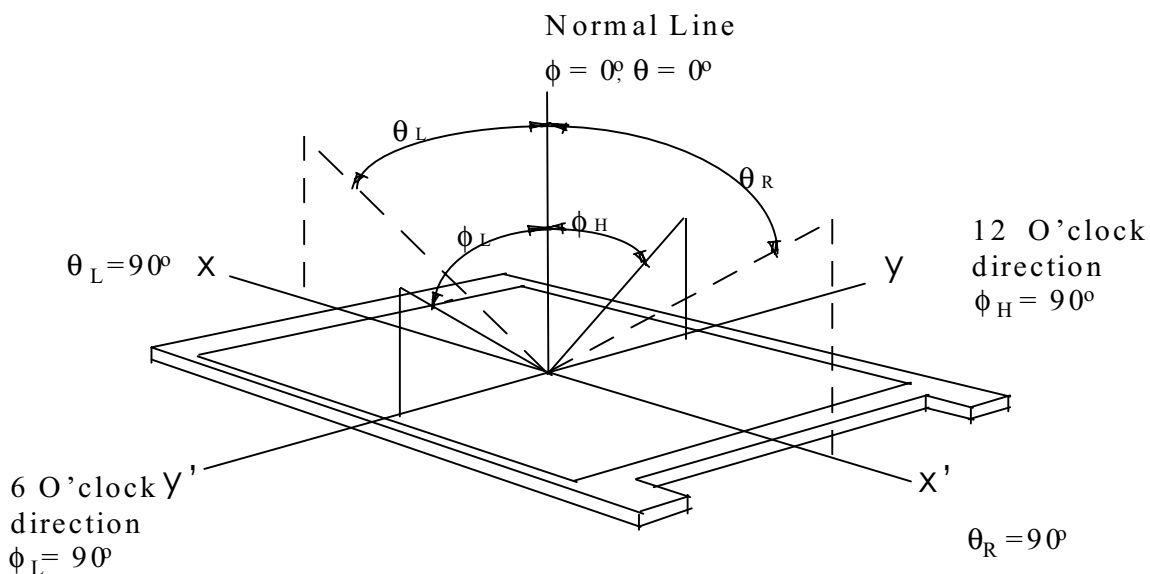


Note 5) Definition of Luminance of White : Luminance of white at center point(5).

Note 6) Definition of Color Chromaticity (CIE 1931)

Color coordinate of Red , Green , Blue & White at center point(5).

Note 7) Definition of Viewing Angle : Viewing angle range ( $CR \geq 10$  )



Note 8) Definition of 9 points brightness uniformity

$$B_{uni} = 100 * \frac{(B_{max} - B_{min})}{B_{max}}$$

B<sub>max</sub> : Maximum brightness

B<sub>min</sub> : Minimum brightness

### 3. Electrical Characteristics

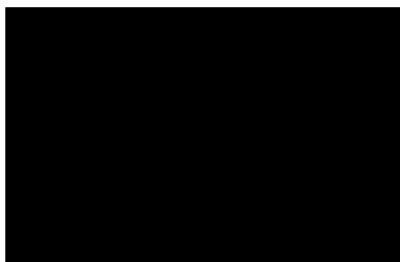
#### 3.1 TFT LCD MODULE

Ta = 25°C

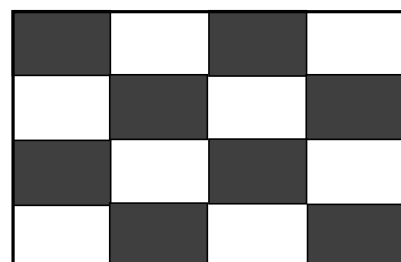
Item	Symbol	Min.	Typ.	Max.	Unit	Note
Voltage of Power Supply	V <sub>DD</sub>	4.5	5.0	5.5	V	(1)
Current of Power Supply	(a)Black	-	TBD	-	mA	(2),(3)
	(b)Mosaic	-	TBD	-	mA	
	(c)2 Line Stripe	-	TBD	-	mA	
	(d)N-Pattern	-	TBD	1600	mA	
Vsync Frequency	f <sub>V</sub>	-	60	-	Hz	
Hsync Frequency	f <sub>H</sub>	47.5	48.5	49.5	kHz	
Main Frequency	f <sub>DCLK</sub>	58	65	80	MHz	
Rush Current	I <sub>RUSH</sub>	-	-	4.0	A	(4)

- Note
- (1) Main pixel clock frequency is the value which is measured at the input of LVDS transmitter.
  - (2) f<sub>V</sub>=60Hz, f<sub>DCLK</sub> =65MHz, V<sub>DD</sub> = 5.0V, DC Current.
  - (3) Power dissipation check pattern(LCD Module only)

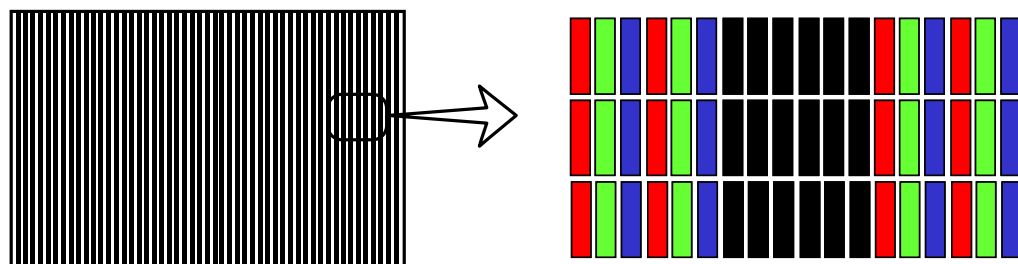
(a) Black Pattern



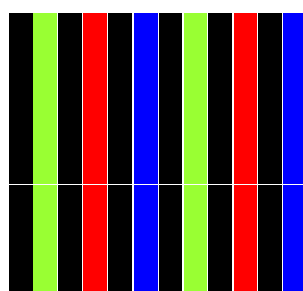
(b) Mosaic Pattern



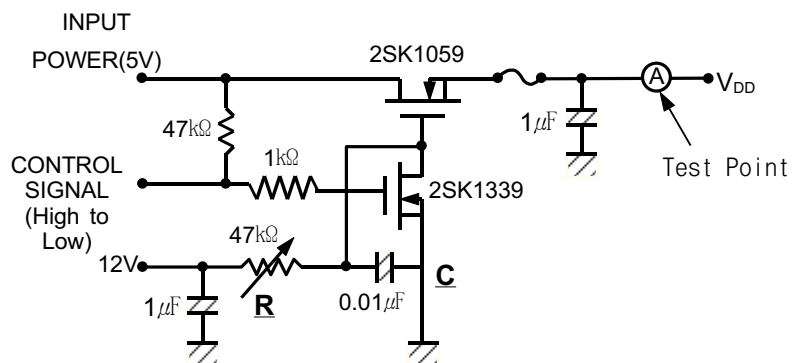
(c) 2 Line Stripe Pattern



(d) N-pattern



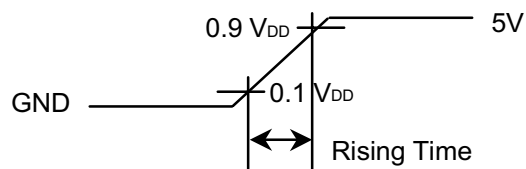
(4) Measurement Conditions (Rising time =470 $\mu$ s)



Note : Control Signal : High(+5V) -->Low(Ground)

All Signal lines to panel except for power 5V : Ground

The rising time of supplied voltage is controlled to 470us by R and C value.



### 3.2 BACK-LIGHT UNIT

The back-light system is an direct - lighting type with 16 CCFTs ( Cold Cathode Fluorescent Tube ) The characteristics of 16 direct lamps are shown in the following tables.

Ta=25 ± 2°C

Item	Symbol	Min.	Typ.	Max.	Unit	Note
Lamp Current	I <sub>L</sub>	4.0	5.5	7.0	mArms	(1)
Lamp Voltage	V <sub>L</sub>		930		Vrms	(1)
Lamp Frequency	f <sub>L</sub>	47.5	48.5	49.5	kHz	(2)
Operating Life Time	Hr	50,000	-	-	Hour	(3) at 7mA
Start up Voltage	Vs	-	-	0°C, 2600	Vrms	(4)
				25°C, 1730		

**Note) The waveform of the inverter output voltage must be area symmetric and the design of the inverter must have specifications for the modularized lamp. Specified values are for a single lamp.**

The performance of the back-light, for example life time or brightness, is much influenced by the characteristics of the DC-AC inverter for the lamp. So all the parameters of an inverter should be carefully designed so as not to produce too much leakage current from high-voltage output of the inverter.

When you design or order the inverter, please make sure that a poor lighting caused by the mismatch of the back-light and the inverter(miss lighting, flicker, etc.) never occur. When you confirm it, the module should be operated in the same condition as it is installed in your instrument.

Note (1) lamp current is measured with current meter.

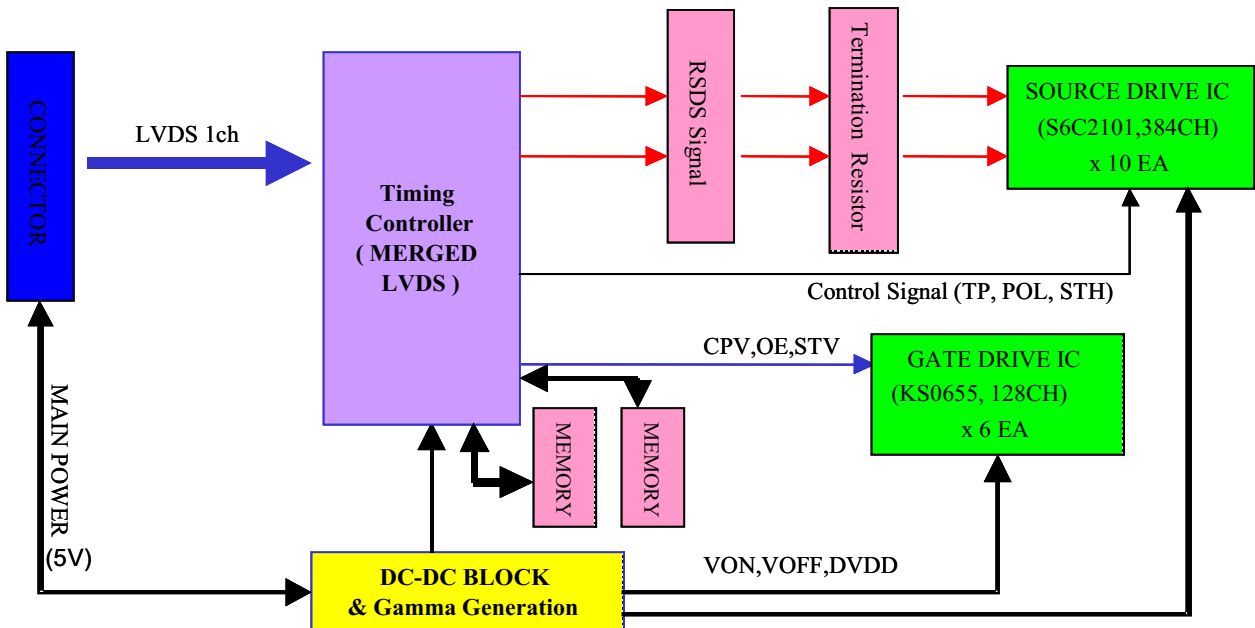
Refer to the block diagram of the back-light unit in the next page for more information.

Lamp Voltage tolerance (at 55kHz) : 970± 100 Vrms at 4mArms  
890± 90 Vrms at 7mArms

- (2) Lamp frequency may produce interference with horizontal synchronous frequency and this may cause line flow on the display. Therefore we synchronized the lamp frequency to horizontal frequency.
- (3) Life time (Hr) of a lamp is defined as the time in which it continues to operate under the condition of Ta = 25±2°C and IL = 7.0mArms for a lamp until the brightness becomes 50% or lower than it's original value.
- (4) If an inverter has shutdown function it should keep its output for more than 1 second even if the lamp connector open. Otherwise the lamps may not to be turned on.

## 4. Block Diagram

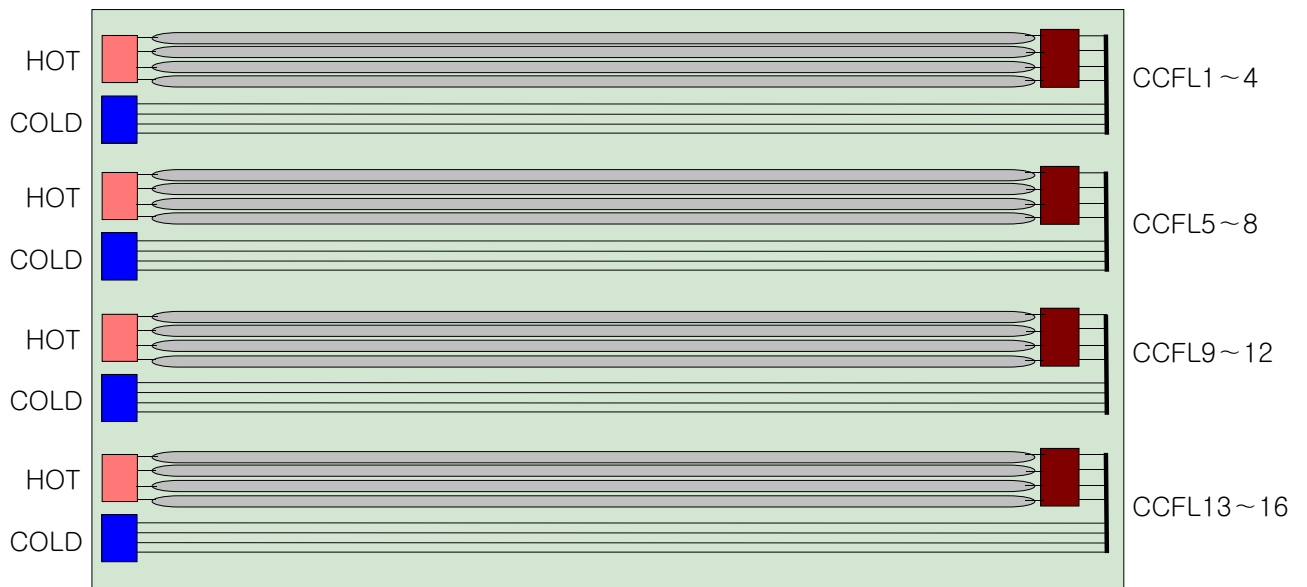
### 4.1 TFT LCD MODULE



### 4.2 BACL-LIGHT UNIT :

HOT : HIGH VOLTAGE ( Part NO. : BHR-04VS-1 (JST) )

COLD : GROUND ( Part NO. : BHR-04VS-1 (JST))



## 5. Input Terminal Pin Assignment

### 5.1. Input Signal & Power : Connector FH12-30S-0.5SH(Hirose)

No	Signal	No	Signal
1	PW M dimming	16	GND
2	Analog dimming	17	Rx3-
3	B/L On/Off	18	Rx3+
4	GND	19	GND
5	Rx0-	20	Reserved (ACCE)
6	Rx0+	21	Reserved (Y_inc)
7	GND	22	Reserved (Y_dec)
8	Rx1-	23	GND
9	Rx1+	24	GND
10	GND	25	GND
11	Rx2-	26	Vin (+5V)
12	Rx2+	27	Vin (+5V)
13	GND	28	Vin (+5V)
14	RxCLK-	29	Vin (+5V)
15	RxCLK+	30	Vin (+5V)

## 5.2 LVDS Interface

-LVDS Receiver : Tcon (LVDS Rx merged)

-Pixel data (single data)

	DATA	T-CON LWLR3280A	T-CON LWLR3281 (JEIDA規格)
TxOUT/RxIN0	TxIN/RxOUT0	R0	R2
	TxIN/RxOUT1	R1	R3
	TxIN/RxOUT2	R2	R4
	TxIN/RxOUT3	R3	R5
	TxIN/RxOUT4	R4	R6
	TxIN/RxOUT6	R5	R7
	TxIN/RxOUT7	G0	G2
TxOUT/RxIN1	TxIN/RxOUT8	G1	G3
	TxIN/RxOUT9	G2	G4
	TxIN/RxOUT12	G3	G5
	TxIN/RxOUT13	G4	G6
	TxIN/RxOUT14	G5	G7
	TxIN/RxOUT15	B0	B2
	TxIN/RxOUT18	B1	B3
TxOUT/RxIN2	TxIN/RxOUT19	B2	B4
	TxIN/RxOUT20	B3	B5
	TxIN/RxOUT21	B4	B6
	TxIN/RxOUT22	B5	B7
	TxIN/RxOUT24	HSYNC	HSYNC
	TxIN/RxOUT25	VSYNC	VSYNC
	TxIN/RxOUT26	DE	DEN
TxOUT/RxIN3	TxIN/RxOUT27	R6	R0
	TxIN/RxOUT5	R7	R1
	TxIN/RxOUT10	G6	G0
	TxIN/RxOUT11	G7	G1
	TxIN/RxOUT16	B6	B0
	TxIN/RxOUT17	B7	B1
	TxIN/RxOUT23		



5.3 INVERTER UNIT : Inverter input pin configuration

INPUT CONNECTOR : S14B-PASK-2 (JST)

OUTPUT HOT Connector : **SM02B-BHS-1-TB(JST), 20015WR-07A01 (YEUNHO)**

OUTPUT COLD Connector : **SM04B-BHS-1-TB(JST), 20015WR-070404 (YEUNHO)**

Pin No.	1	2	3	4	5	6	7
Function	VCC(+120V)	VCC(+120V)	NC	GND	GND	GND	GND

Pin No.	8	9	10	11	12	13	14
Function	NC	NC	NC	NC	NC	NC	NC

### 5.4 Input Signal, Basic Display Colors and Gray Scale of Each Color

COLOR	DISPLAY	DATA SIGNAL																					GRAY SCALE LEVEL			
		RED							GREEN							BLUE										
		R0	R1	R2	R3	R4	R5	R6	R7	G0	G1	G2	G3	G4	G5	G6	G7	B0	B1	B2	B3	B4		B5	B6	B7
BASIC COLOR	BLACK	0	0	0	0	0	0	0	0	0	0	0	0	0	0	0	0	0	0	0	0	0	0	0	0	-
	BLUE	0	0	0	0	0	0	0	0	0	0	0	0	0	0	0	0	1	1	1	1	1	1	1	1	-
	GREEN	0	0	0	0	0	0	0	0	1	1	1	1	1	1	1	1	0	0	0	0	0	0	0	0	-
	CYAN	0	0	0	0	0	0	0	0	1	1	1	1	1	1	1	1	1	1	1	1	1	1	1	1	-
	RED	1	1	1	1	1	1	1	1	0	0	0	0	0	0	0	0	0	0	0	0	0	0	0	0	-
	MAGENTA	1	1	1	1	1	1	1	1	0	0	0	0	0	0	0	0	1	1	1	1	1	1	1	1	-
	YELLOW	1	1	1	1	1	1	1	1	1	1	1	1	1	1	1	1	0	0	0	0	0	0	0	0	-
	WHITE	1	1	1	1	1	1	1	1	1	1	1	1	1	1	1	1	1	1	1	1	1	1	1	1	-
GRAY SCALE OF RED	BLACK	0	0	0	0	0	0	0	0	0	0	0	0	0	0	0	0	0	0	0	0	0	0	0	R0	
	DARK ↑	0	0	0	0	0	0	0	0	0	0	0	0	0	0	0	0	0	0	0	0	0	0	0	R1	
		0	1	0	0	0	0	0	0	0	0	0	0	0	0	0	0	0	0	0	0	0	0	0	R2	
		:	:	:	:	:	:	:	:	:	:	:	:	:	:	:	:	:	:	:	:	:	:	:	:	R3~R252
		:	:	:	:	:	:	:	:	:	:	:	:	:	:	:	:	:	:	:	:	:	:	:	:	
	LIGHT ↓	1	0	1	1	1	1	1	1	0	0	0	0	0	0	0	0	0	0	0	0	0	0	0	R253	
		0	1	1	1	1	1	1	1	0	0	0	0	0	0	0	0	0	0	0	0	0	0	0	R254	
	RED	1	1	1	1	1	1	1	1	0	0	0	0	0	0	0	0	0	0	0	0	0	0	0	R255	
GRAY SCALE OF GREEN	BLACK	0	0	0	0	0	0	0	0	0	0	0	0	0	0	0	0	0	0	0	0	0	0	0	G0	
	DARK ↑	0	0	0	0	0	0	0	0	1	0	0	0	0	0	0	0	0	0	0	0	0	0	0	G1	
		0	0	0	0	0	0	0	0	0	1	0	0	0	0	0	0	0	0	0	0	0	0	0	G2	
		:	:	:	:	:	:	:	:	:	:	:	:	:	:	:	:	:	:	:	:	:	:	:	G3~G252	
		:	:	:	:	:	:	:	:	:	:	:	:	:	:	:	:	:	:	:	:	:	:	:		
	LIGHT ↓	0	0	0	0	0	0	0	0	1	0	1	1	1	1	1	1	0	0	0	0	0	0	0	G253	
		0	0	0	0	0	0	0	0	0	1	1	1	1	1	1	1	0	0	0	0	0	0	0	G254	
	GREEN	0	0	0	0	0	0	0	0	1	1	1	1	1	1	1	1	0	0	0	0	0	0	0	G255	
GRAY SCALE OF BLUE	BLACK	0	0	0	0	0	0	0	0	0	0	0	0	0	0	0	0	0	0	0	0	0	0	0	B0	
	DARK ↑	0	0	0	0	0	0	0	0	0	0	0	0	0	0	0	0	1	0	0	0	0	0	0	B1	
		0	0	0	0	0	0	0	0	0	0	0	0	0	0	0	0	0	1	0	0	0	0	0	B2	
		:	:	:	:	:	:	:	:	:	:	:	:	:	:	:	:	:	:	:	:	:	:	:	B3~B252	
		:	:	:	:	:	:	:	:	:	:	:	:	:	:	:	:	:	:	:	:	:	:	:		
	LIGHT ↓	0	0	0	0	0	0	0	0	0	0	0	0	0	0	0	0	1	0	1	1	1	1	1	B253	
		0	0	0	0	0	0	0	0	0	0	0	0	0	0	0	0	0	1	1	1	1	1	1	B254	
	BLUE	0	0	0	0	0	0	0	0	0	0	0	0	0	0	0	0	1	1	1	1	1	1	1	B255	

Note) Definition of Gray :

Rn : Red Gray, Gn : Green Gray, Bn : Blue Gray (n = Gray level)

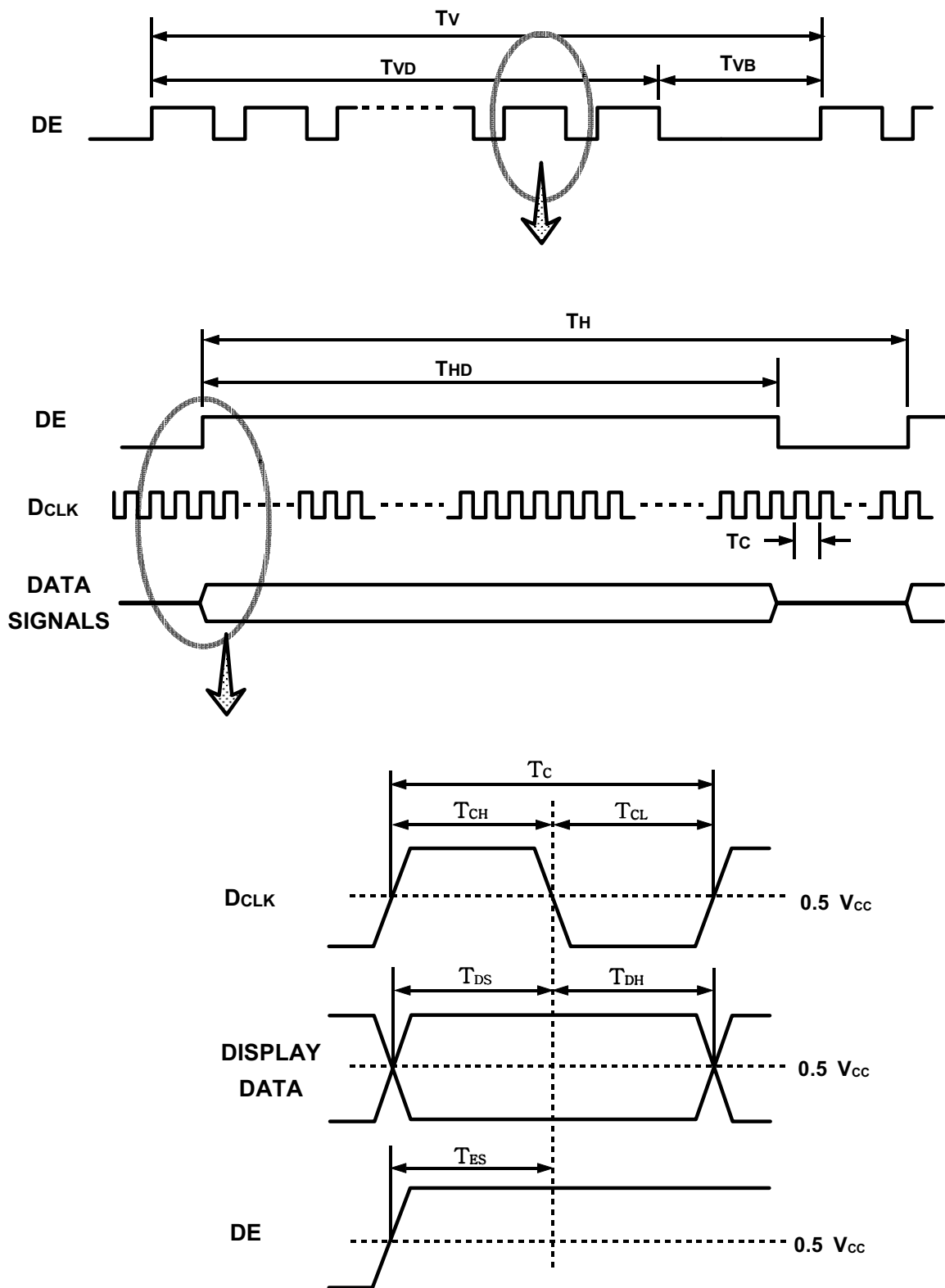
Input Signal : 0 = Low level voltage, 1 = High level voltage

## 6. Interface Timing

### 6.1 Timing Parameters ( DE only mode )

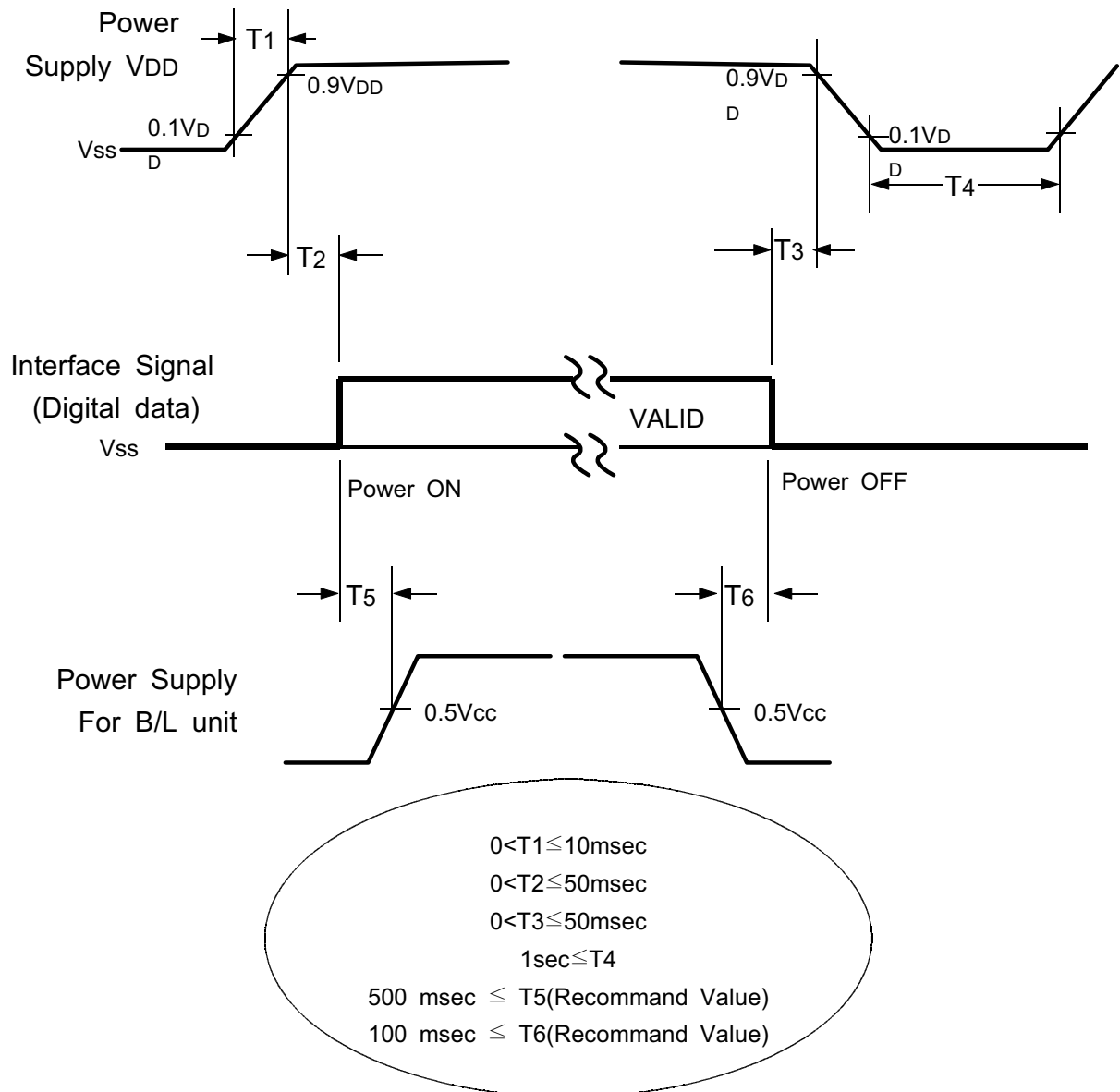
SIGNAL	ITEM	SYMBOL	MIN.	TYP.	MAX.	UNIT	NOTE
Clock	Frequency	1/TC	58	65	80	MHz	
Hsync		Fh	47.5	48.5	49.5	KHz	
Vsync		Fv	48	60	66	Hz	
Vertical Active Display Term	Display Period	TVD	768	768	768	lines	
	Vertical Total	TVB	787	806	1170	lines	
Horizontal Active Display Term	Display Period	THD	1280	1280	1280	clocks	
	Horizontal Total	TH	(1332)	1344	2048	clocks	

6.2 Timing diagrams of interface signal ( DE only mode )



### 6.3 Power ON/OFF Sequence

: To prevent a latch-up or DC operation of the LCD module, the power on/off sequence should be as the diagram below.



#### NOTE.

- (1) The supply voltage of the external system for the module input should be the same as the definition of VDD.
- (2) Apply the lamp voltage within the LCD operation range. When the back-light turns on before the LCD operation or the LCD turns off before the back-light turns off, the display may momentarily become abnormal screen.
- (3) In case of VDD = off level, please keep the level of input signals on the low or keep a high impedance.
- (4) T4 should be measured after the module has been fully discharged between power off and on period.
- (5) Interface signal shall not be kept at high impedance when the power is on.

## 7. Outline Dimension

-Refer to another file.

## 8. General Precautions

### 8.1 Handling

- (a) When the module is assembled, It should be attached to the system firmly using every mounting holes. Be careful not to twist and bend the modules.
- (b) Refrain from strong mechanical shock and / or any force to the module. In addition to damage, this may cause improper operation or damage to the module and CCFT back-light.
- (c) Note that polarizers are very fragile and could be easily damaged. Do not press or scratch the surface harder than a HB pencil lead.
- (d) Wipe off water droplets or oil immediately. If you leave the droplets for a long time, Staining and discoloration may occur.
- (e) If the surface of the polarizer is dirty, clean it using some absorbent cotton or soft cloth.
- (f) The desirable cleaners are water, IPA(Isopropyl Alcohol) or Hexane. Do not use Ketone type materials(ex. Acetone), Ethyl alcohol, Toluene, Ethyl acid or Methyl chloride. It might permanent damage to the polarizer due to chemical reaction.
- (g) If the liquid crystal material leaks from the panel, it should be kept away from the eyes or mouth . In case of contact with hands, legs or clothes, it must be washed away thoroughly with soap.
- (h) Protect the module from static , it may cause damage to the CMOS Gate Array IC.
- (i) Use finger-stalls with soft gloves in order to keep display clean during the incoming inspection and assembly process.
- (j) Do not disassemble the module.
- (k) Do not pull or fold the lamp wire.
- (l) Do not adjust the variable resistor which is located on the module.
- (m) Protection film for polarizer on the module shall be slowly peeled off just before use so that the electrostatic charge can be minimized.
- (n) Pins of I/F connector shall not be touched directly with bare hands.

## 8.2 Storage

- (a) Do not leave the module in high temperature, and high humidity for a long time. It is highly recommended to store the module with temperature from 0 to 35C and relative humidity of less than 70%.
- (b) Do not store the TFT-LCD module in direct sunlight.
- (c) The module shall be stored in a dark place. It is prohibited to apply sunlight or fluorescent light during the store.

## 8.3 Operation

- (a) Do not connect,disconnect the module in the "Power On" condition.
- (b) Power supply should always be turned on/off by the item 6.3 "Power on/off sequence"
- (c) Module has high frequency circuits. Sufficient suppression to the electromagnetic interference shall be done by system manufacturers. Grounding and shielding methods may be important to minimize the interference.
- (d) The cable between the back-light connector and its inverter power supply shall be a minimized length and be connected directly . The longer cable between the back-light and the inverter may cause lower luminance of lamp(CCFT) and may require higher startup voltage(Vs).

## 8.4 Others

- (a) Ultra-violet ray filter is necessary for outdoor operation.
- (b) Avoid condensation of water. It may result in improper operation or disconnection of electrode.
- (c) Do not exceed the absolute maximum rating value. ( the supply voltage variation, input voltage variation, variation in part contents and environmental temperature, and so on) Otherwise the module may be damaged.
- (d) If the module displays the same pattern continuously for a long period of time,it can be the situation when the image "Sticks" to the screen.
- (e) This module has its circuitry PCB's on the rear side and should be handled carefully in order not to be stressed.