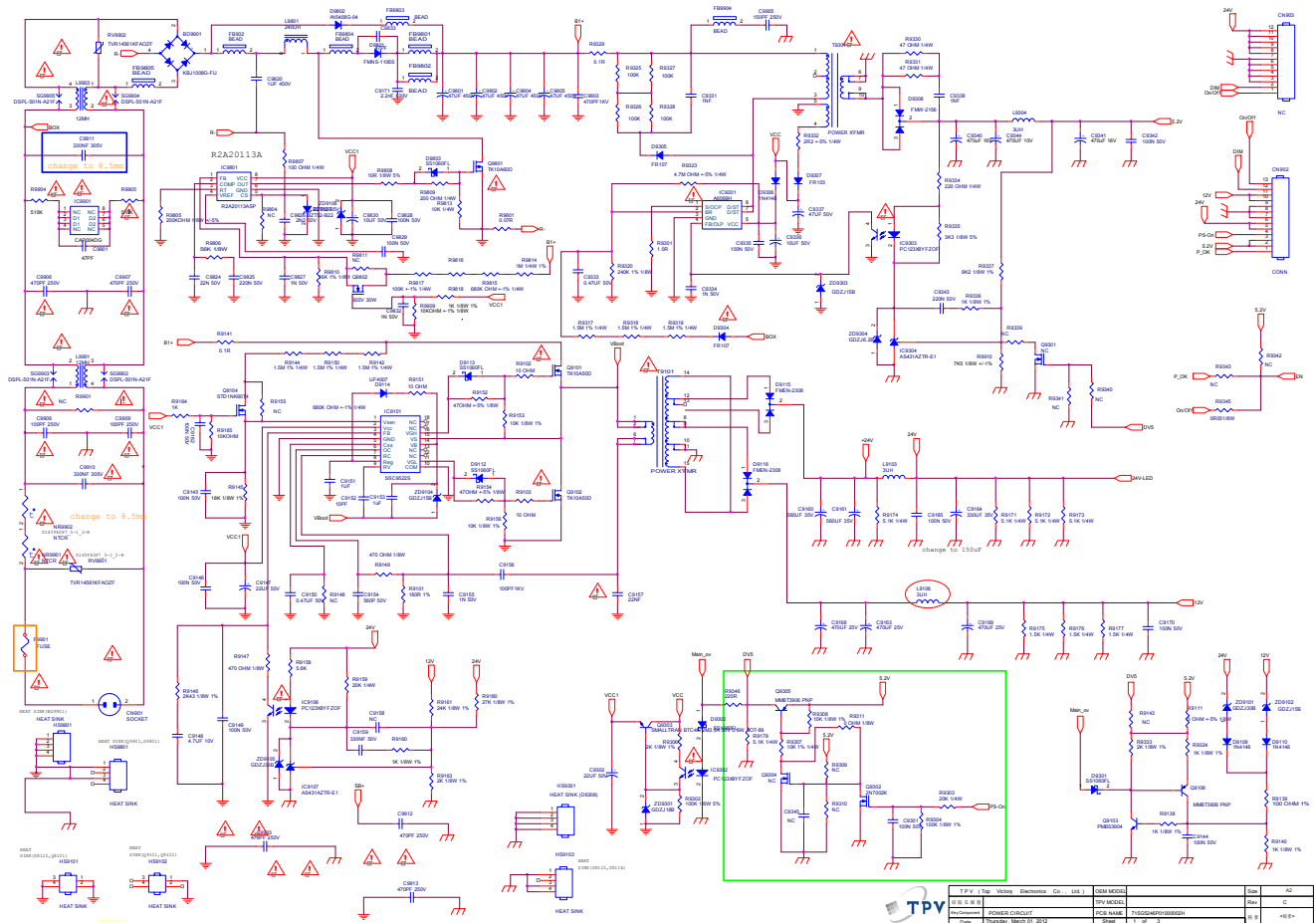
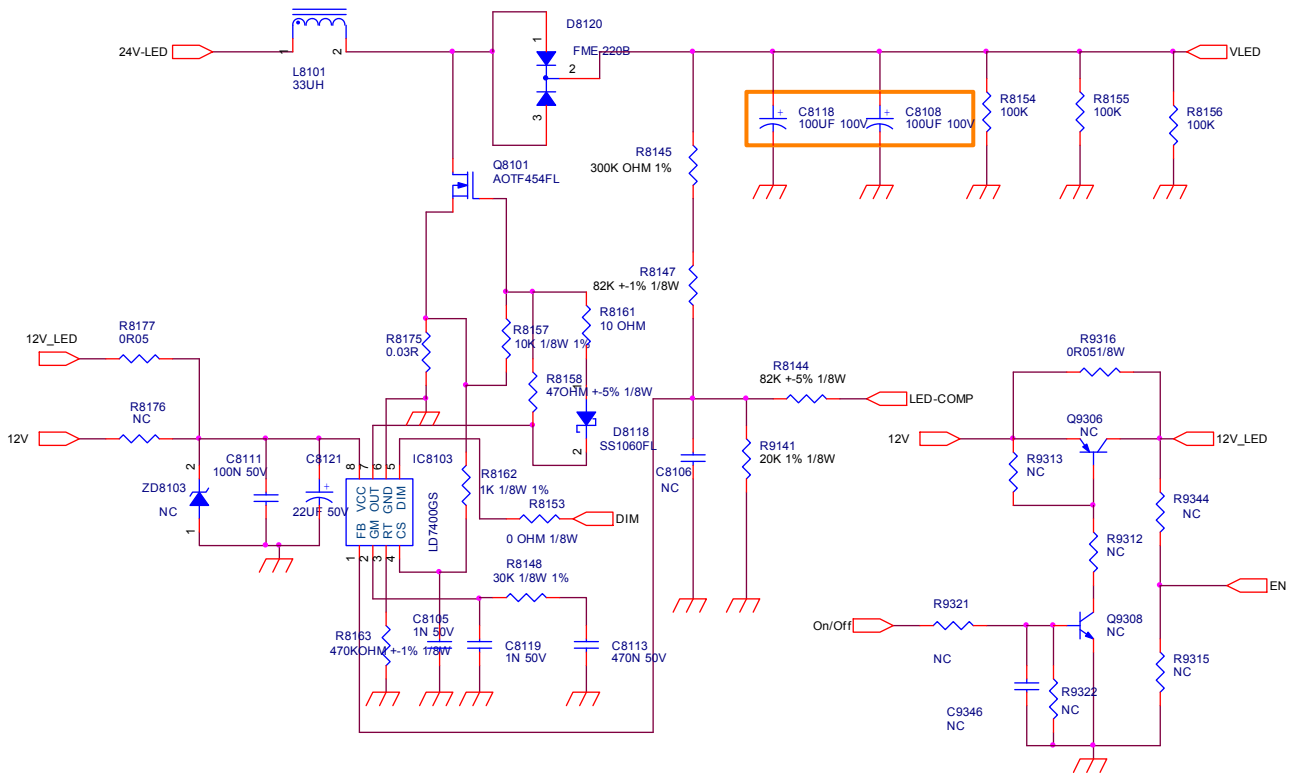


Power Board

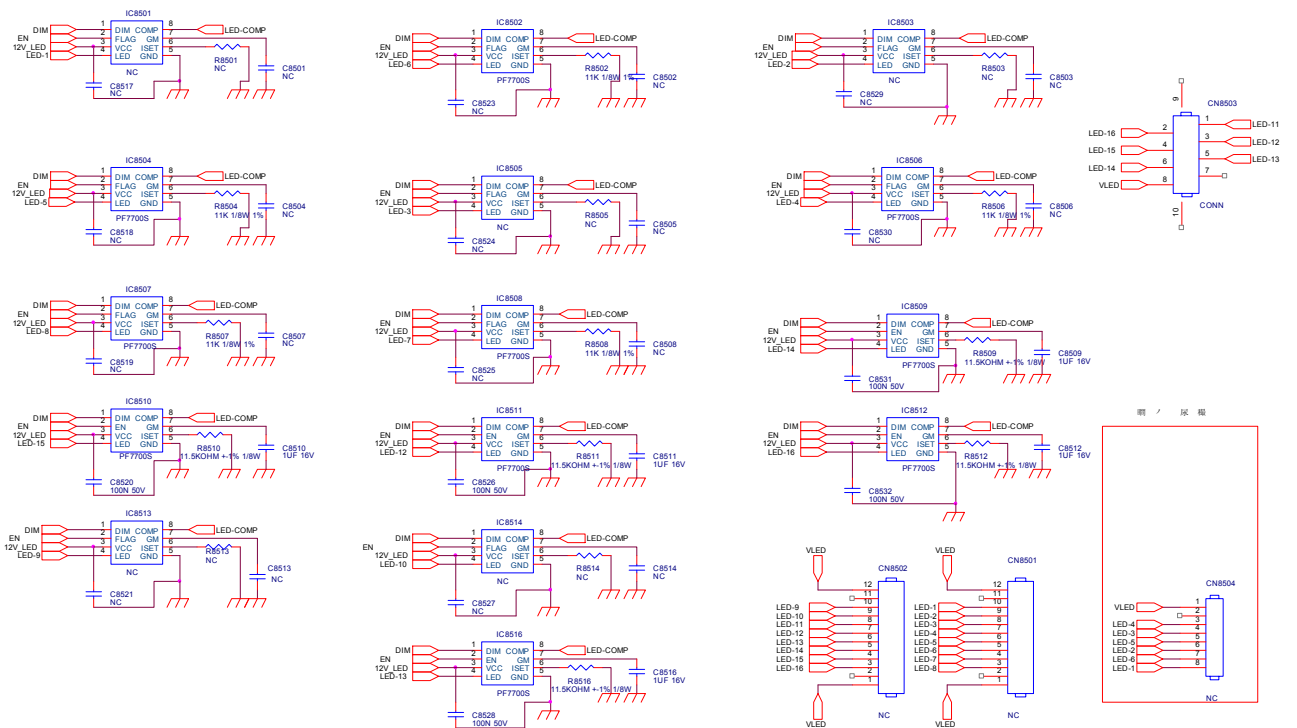
715G5246P02W21002S

(For 42RL7500)

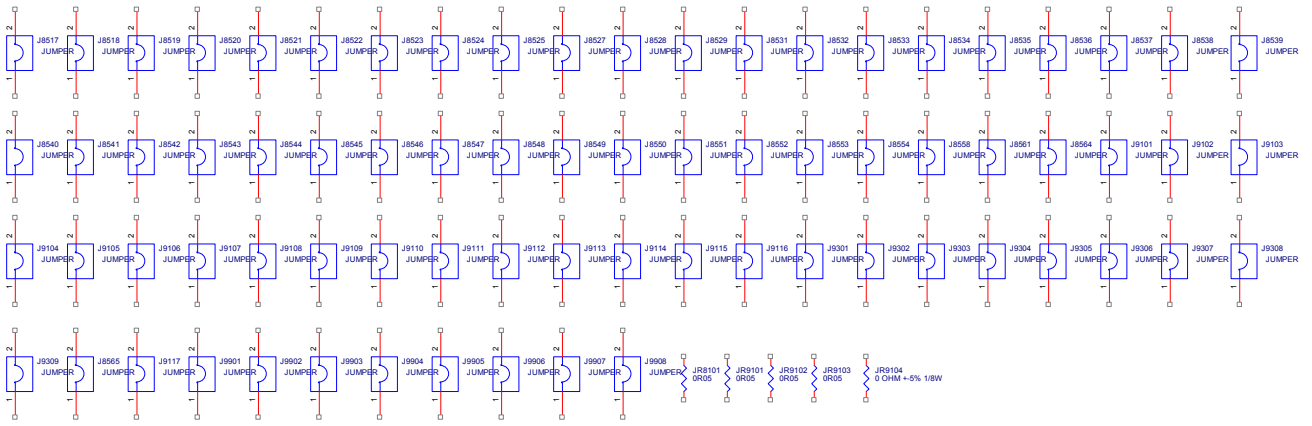




T.P.V. (Top Victory Electronics Co., Ltd.)		OEM MODEL	Size	A
新隔瓜架版		TPV MODEL	Rev	C
Key Component	24V to VLED (DC/DC)	PCB NAME	715G5246-POC-000-0030	称委
Date	Thursday, March 01, 2012	Sheet	2 of 3	<称委>

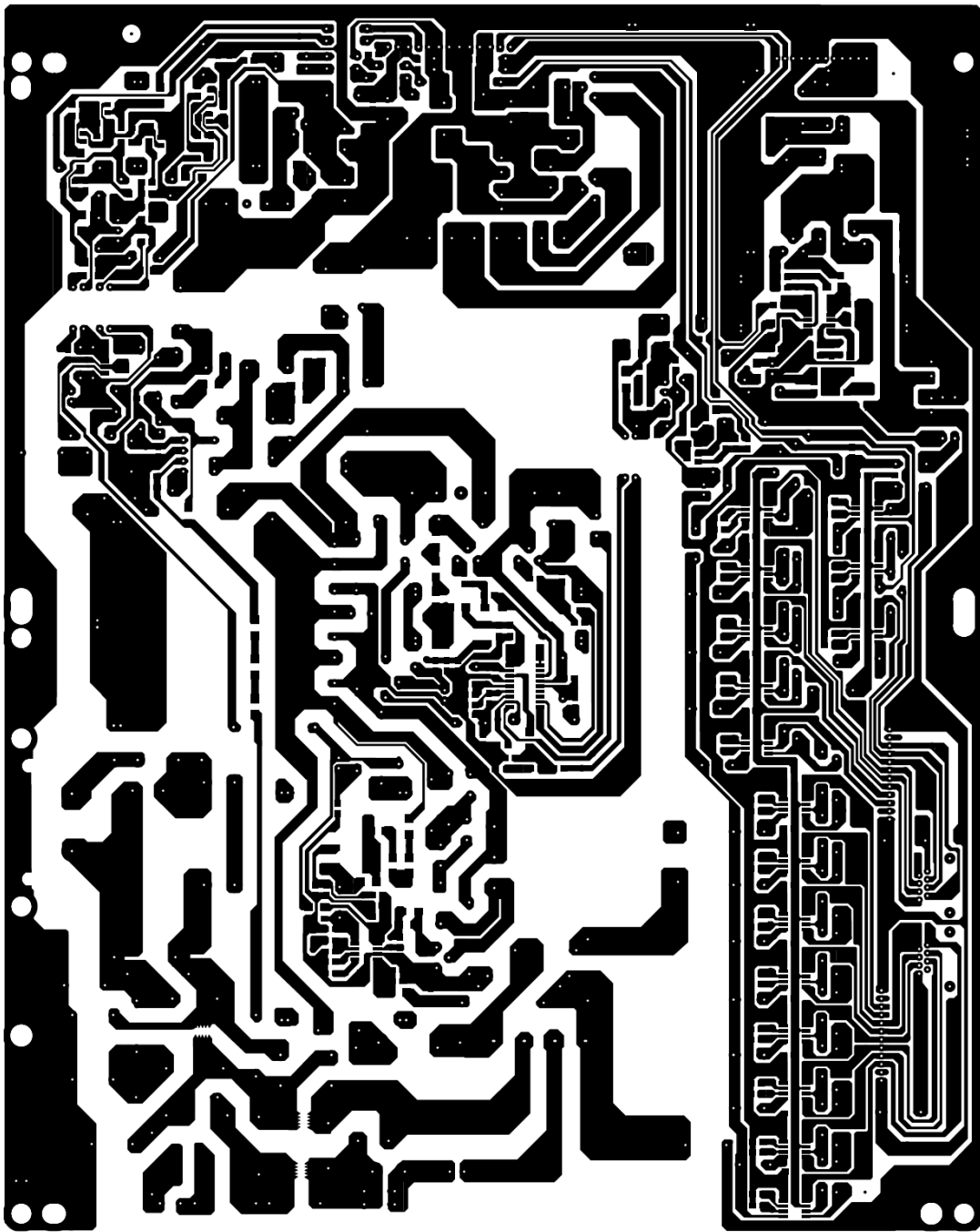


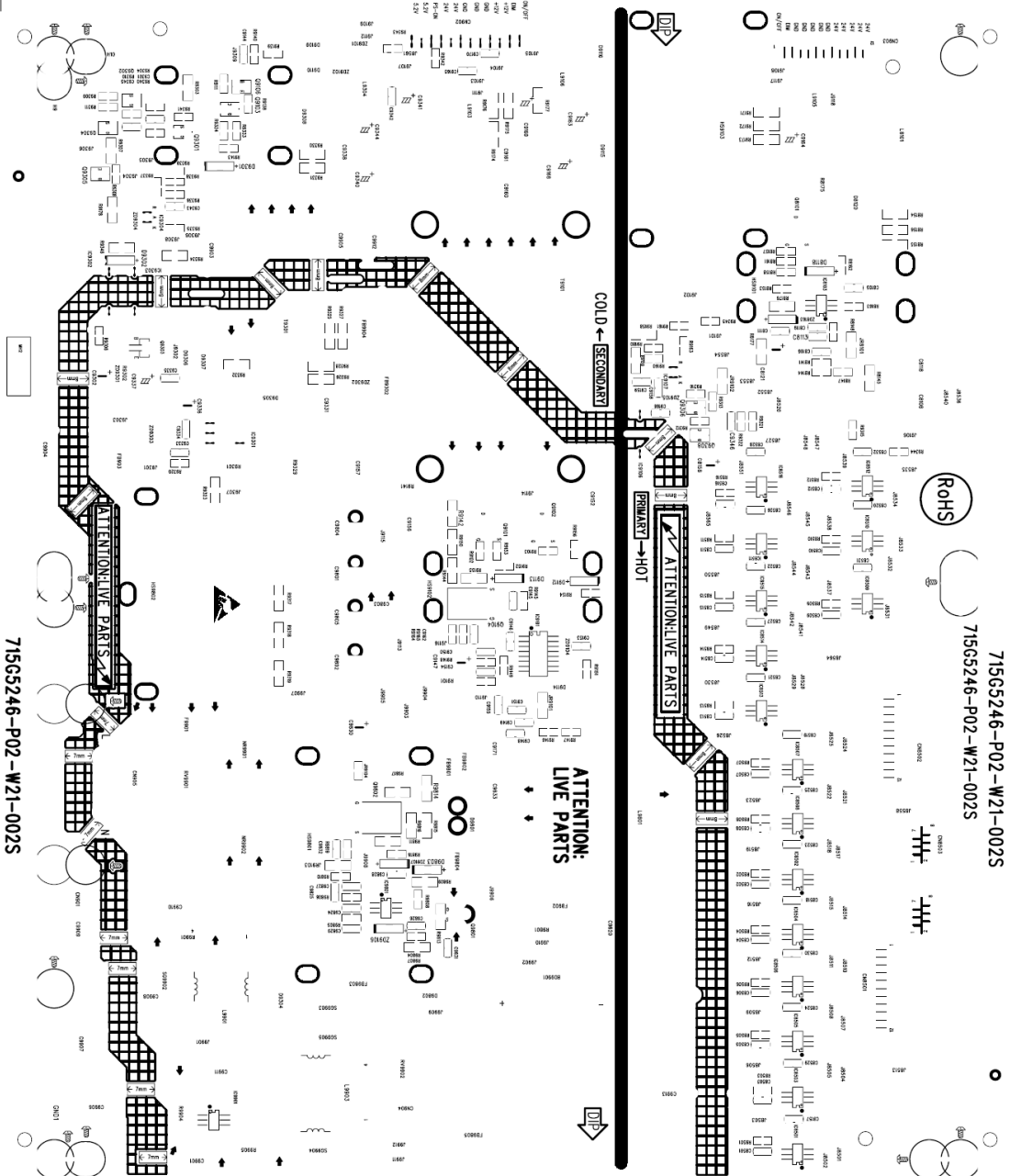
T.P.V. (Top Victory Electronics Co., Ltd.)		OEM MODEL	Size	B
新隔瓜架版		TPV MODEL	Rev	C
Key Component	LED Driver	PCB NAME	715G5246-POC-000-0030	称委
Date	Thursday, January 05, 2012	Sheet	3 of 3	<称委>



TPV (Top Victory Electronics Co., Ltd.)	OEM MODEL	Size	B
TPV MODEL	TPV MODEL	Rev	C
Key Component LED Driver	PCB NAME 715G246-POC-000-0030	Rev	<Rev>
Date Wednesday, December 28, 2011	Sheet 3 of 3		

715G5246P02W21002S (For 42RL7500)





715G5246-P02-W21-002S
715G5246-P02-W21-002S

715G5246-P02-W21-002S

