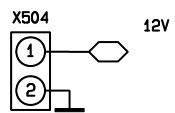
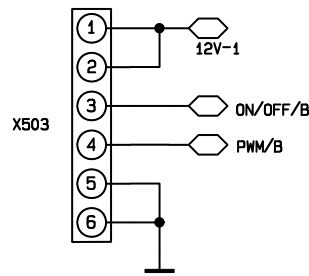
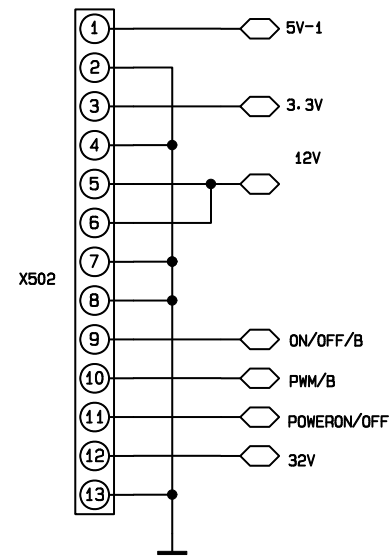
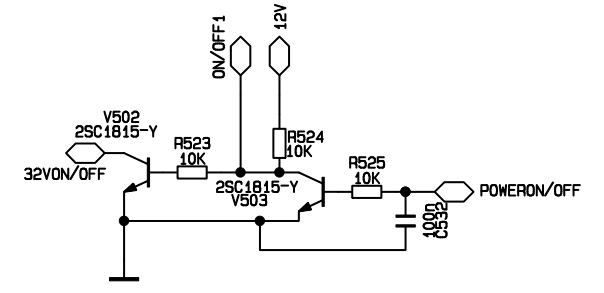
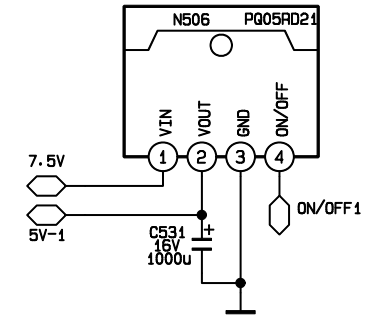
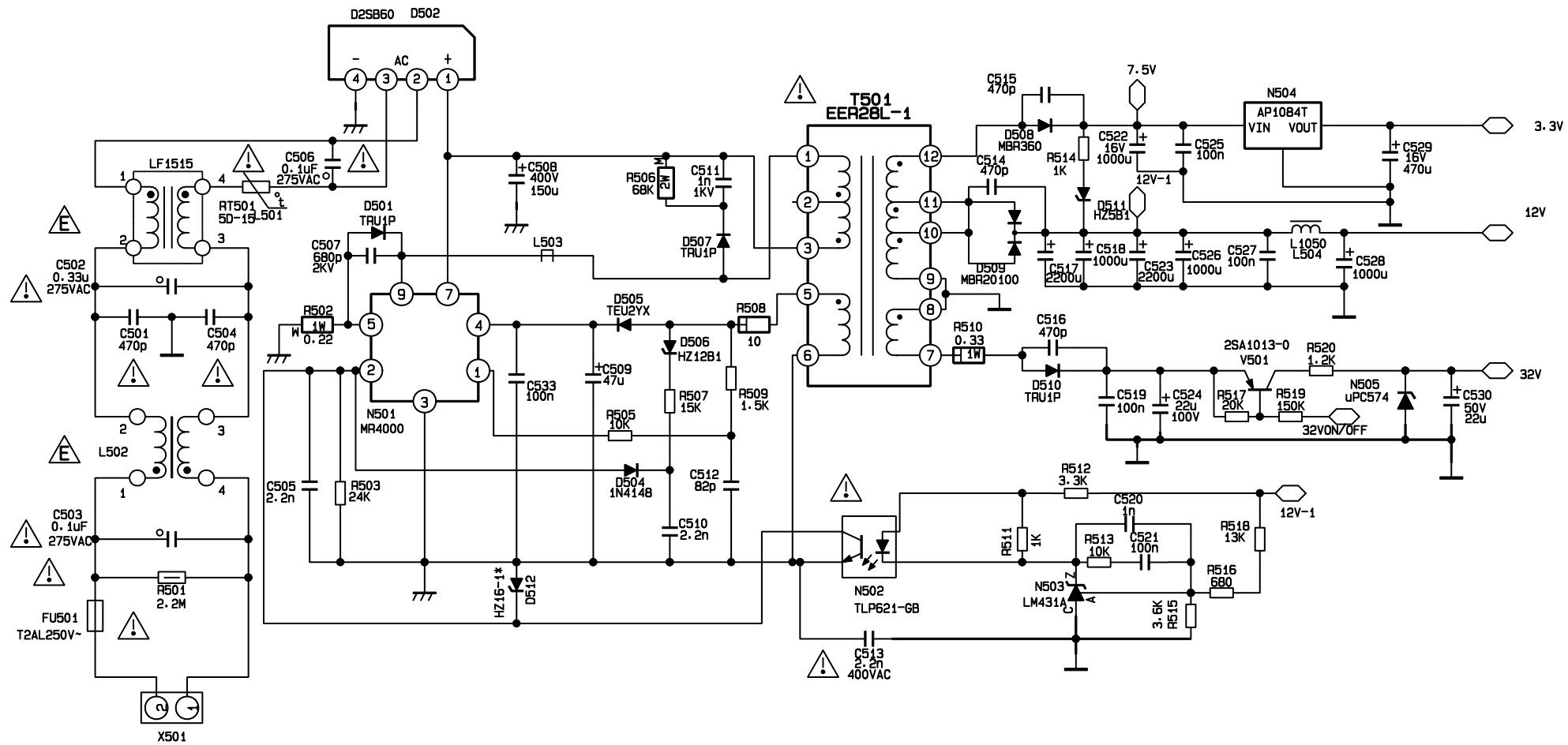


Backlight board



ON	OFF
0	1

