

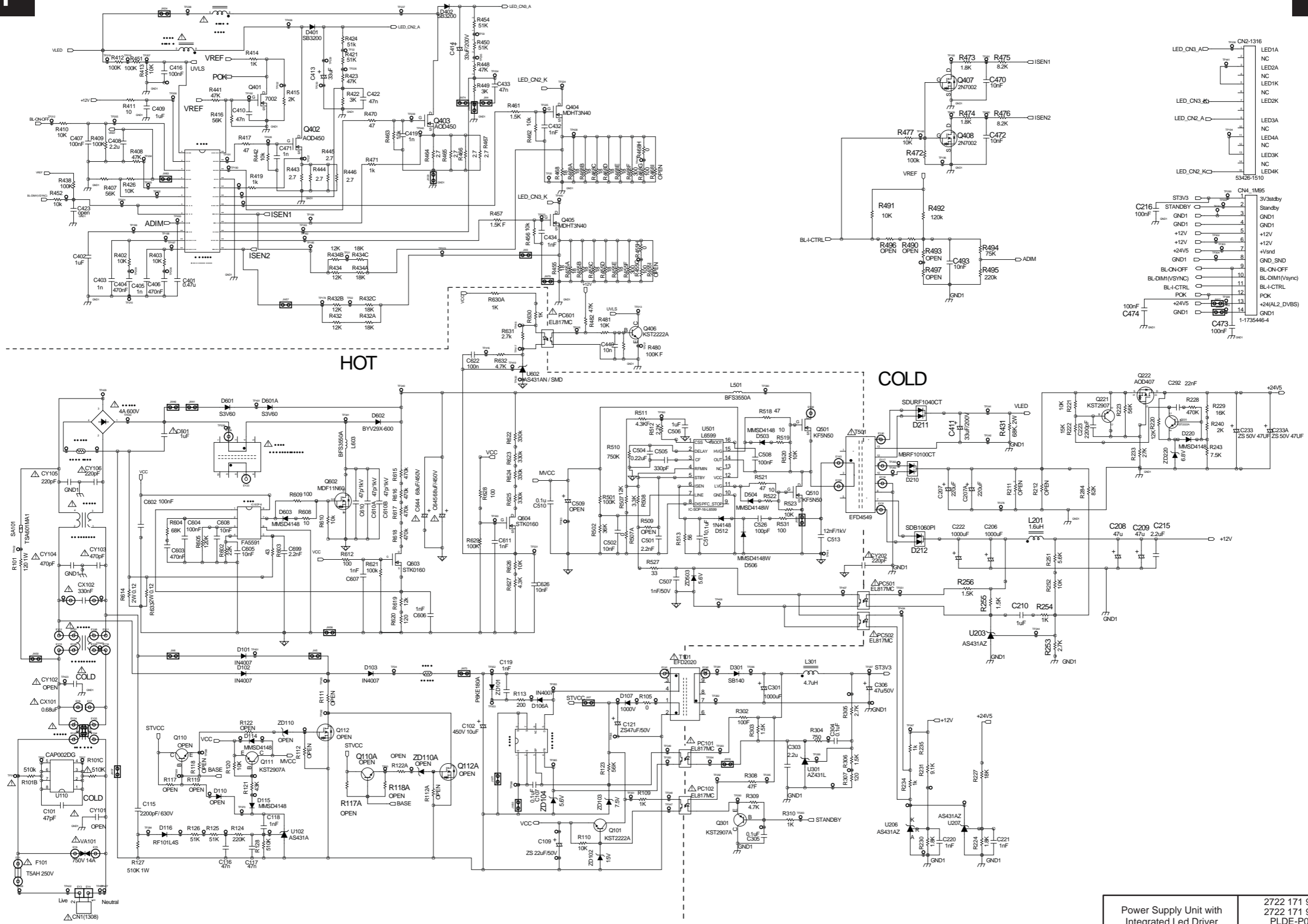
10. Circuit Diagrams and PWB Layouts

10.1 A 272217190323 - 272217190353 PSL 10-1-1 Power Supply Unit with Integrated LED Driver

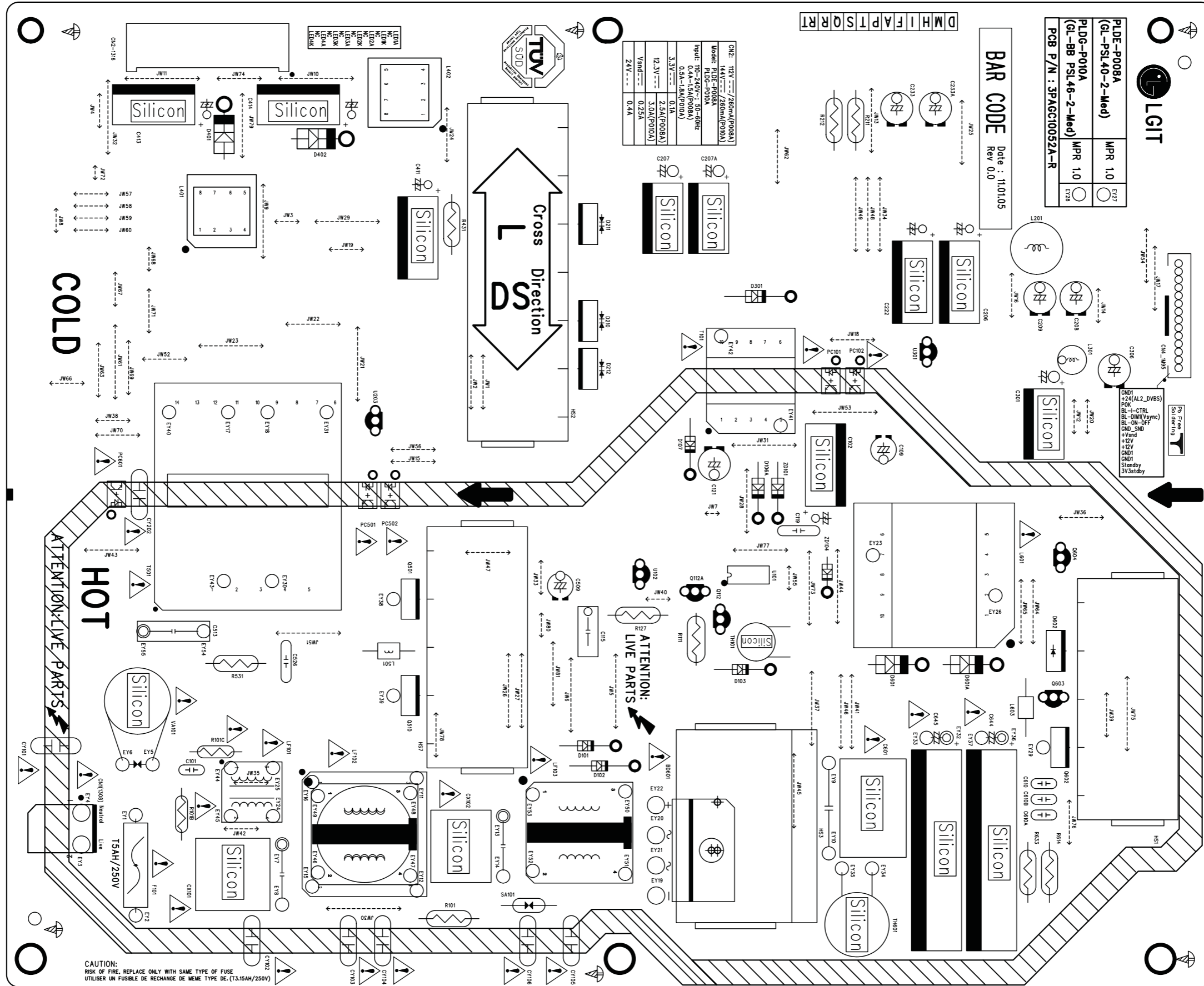
A01

Power Supply Unit with Integrated Led Driver

A01



Power Supply Unit with Integrated Led Driver	2722 171 90323	2011-05-02
	2722 171 90353	
	PLDE-P008A	
	PLDE-P008A_CKD	



CAUTION:
RISK OF FIRE. REPLACE ONLY WITH SAME TYPE OF FUSE.
UTILISER UN FUSIBLE DE REMPLACEMENT DE MEME TYPE DE (T3.15AH/250V)

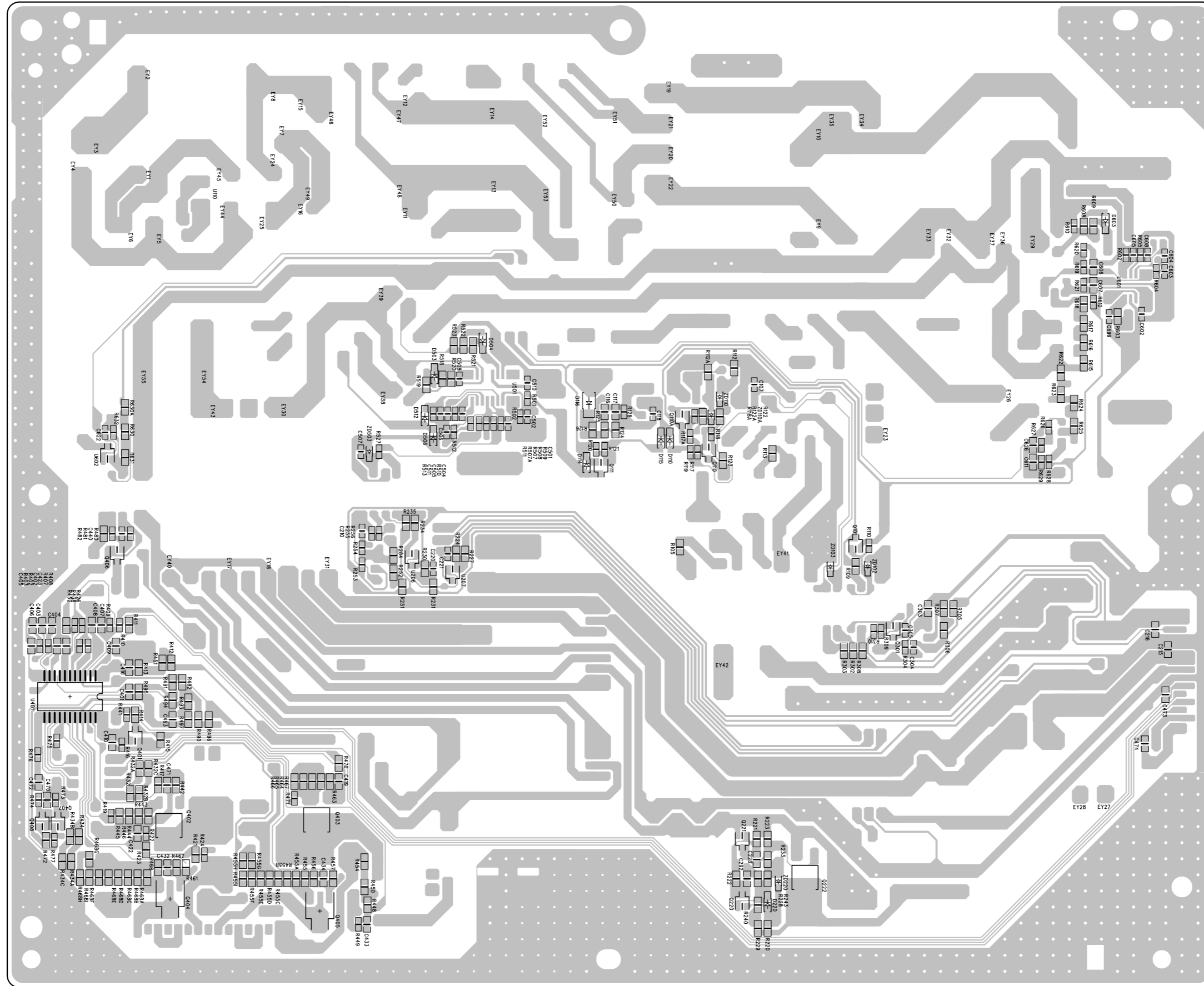
PLDE-P008A (GL-PSL40-2-Med)	MPP 1.0	ET27
PLDG-P010A (GL-BB PSL46-2-Med)	MPP 1.0	ET28
PCB P/N : 3PAGC10052A-R		

BAR CODE
Date : 11.01.05
Rev 0.0

CN2: 12V --- /250mA(P008A)	Model: PLDE-P008A
14.4V --- /500mA(P010A)	Input: 180V-210V AC 50-60Hz
0.5A-1.5A(P008A)	0.5A-1.8A(P010A)
3.3V --- 0.1A	2.5A(P008A)
12.3V --- 3.0A(P010A)	Vand --- 0.25A
24V --- 0.4A	

Layout top	2722 171 90323	2011-08-02
	2722 171 90353	
	PLDE-P008A	
	PLDE-P008A_CKD	

10-1-3 Layout bottom



Layout bottom	2722 171 90323	2011-08-02
	2722 171 90353	
	PLDE-P008A	
	PLDE-P008A_CKD	

19132_008_111219.eps
111219