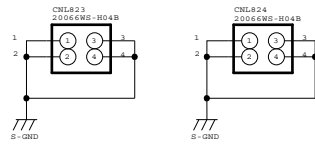
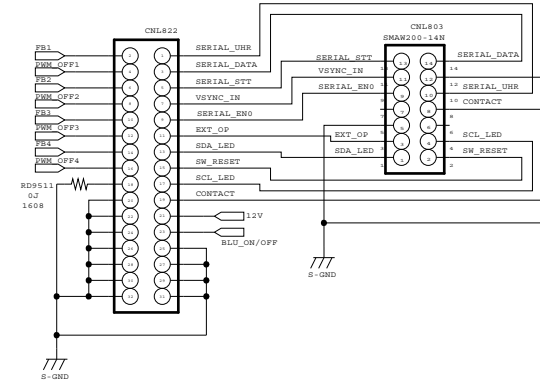
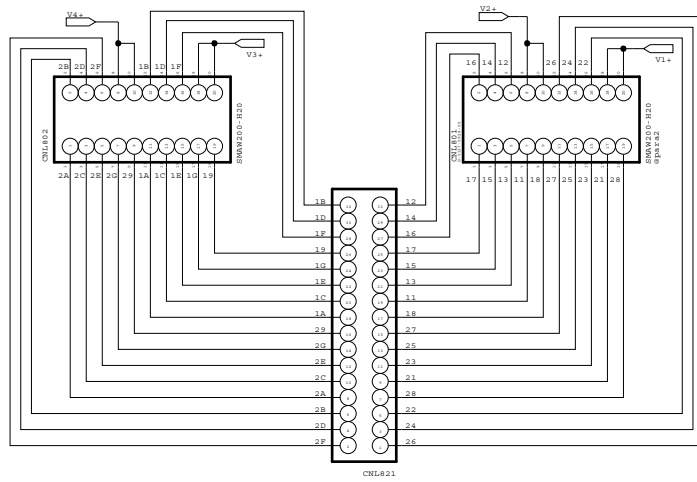


NOTE



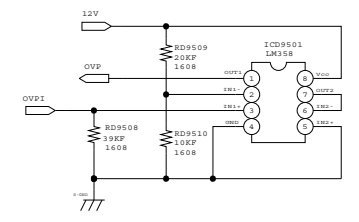
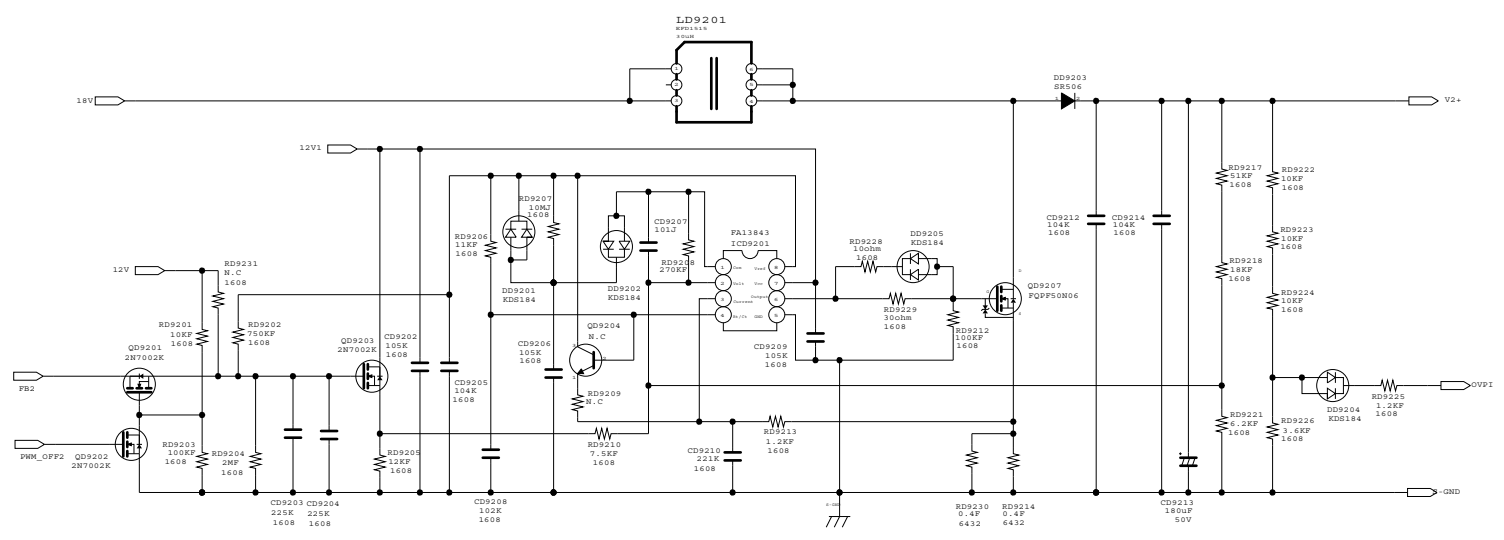
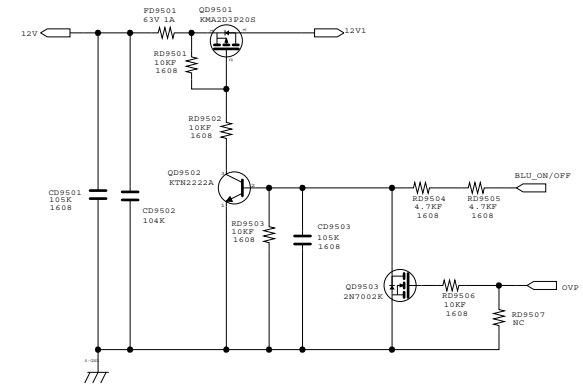
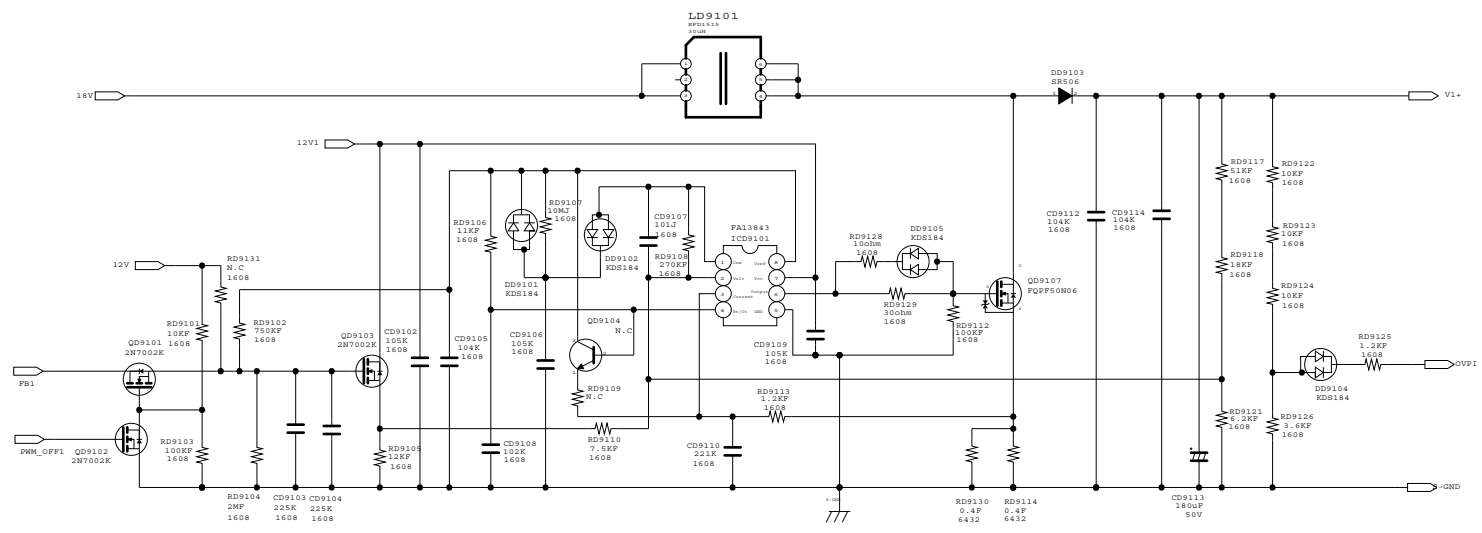
USER	SAMSUNG ELECTRONICS		DATE	2009.12.28
MODEL NAME	PD46AF2_ZSM	SCALE	DRAWN	
	PSLF251B02A	REVISION	CHECKED	
PDM NUMBER	BN44-00362A	LEVEL	REV R.B	APPROVED



NOTE



USER SAMSUNG ELECTRONICS		DATE 2009.12.28	
MODEL NAME PD46AF2_ZSM	SCALE	DRAWN	
PSLF251B02A	REVISION REV R.B	CHECKED	
PDM NUMBER BN44-00362A	CommonScore	APPROVED	



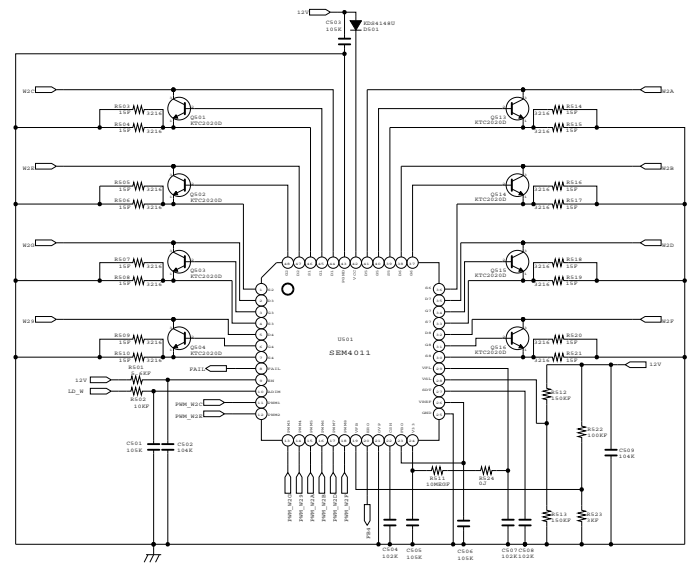
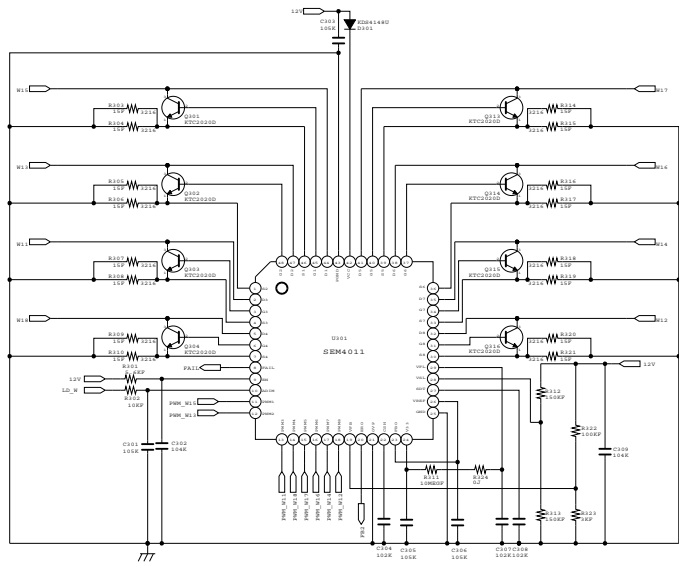
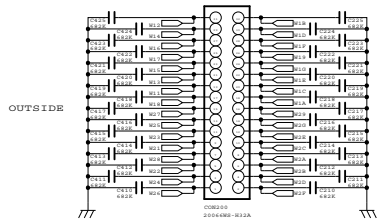
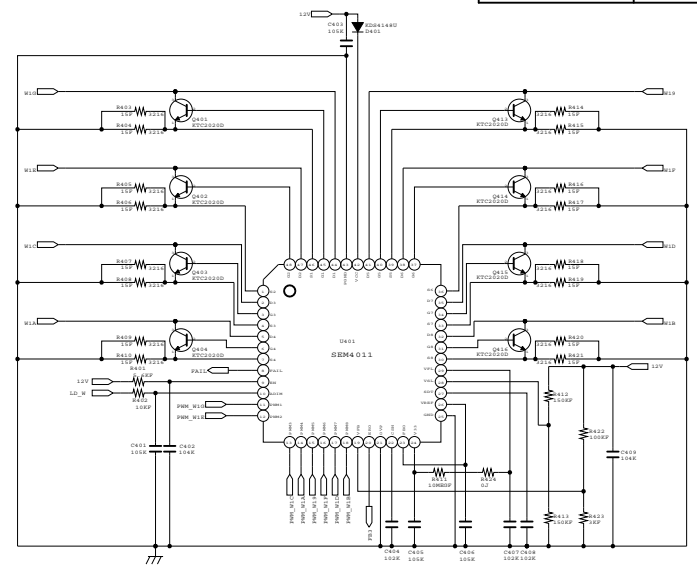
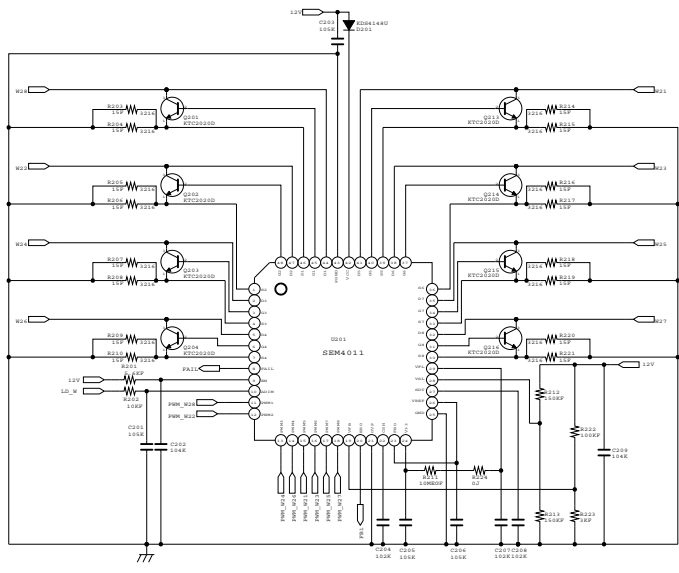
NOTE



USER SAMSUNG ELECTRONICS		DATE 2009.12.28	
MODEL NAME PD46AF2_ZSM PSLF251B02A	SCALE	DRAWN	
PDM NUMBER BN44-00362A	REVISION REV R.B	CHECKED	
	CommonScore	APPROVED	







NOTE



SAMSUNG ELECTRONICS		12/23/09
PD_Driver		YOO YOUNG JONG
		KIM JIN HWAN