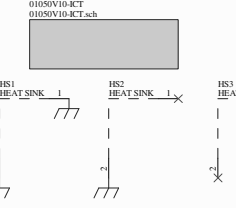
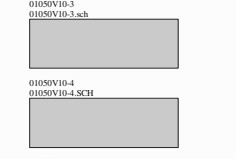
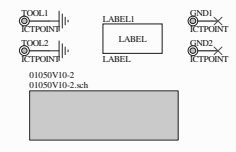


A

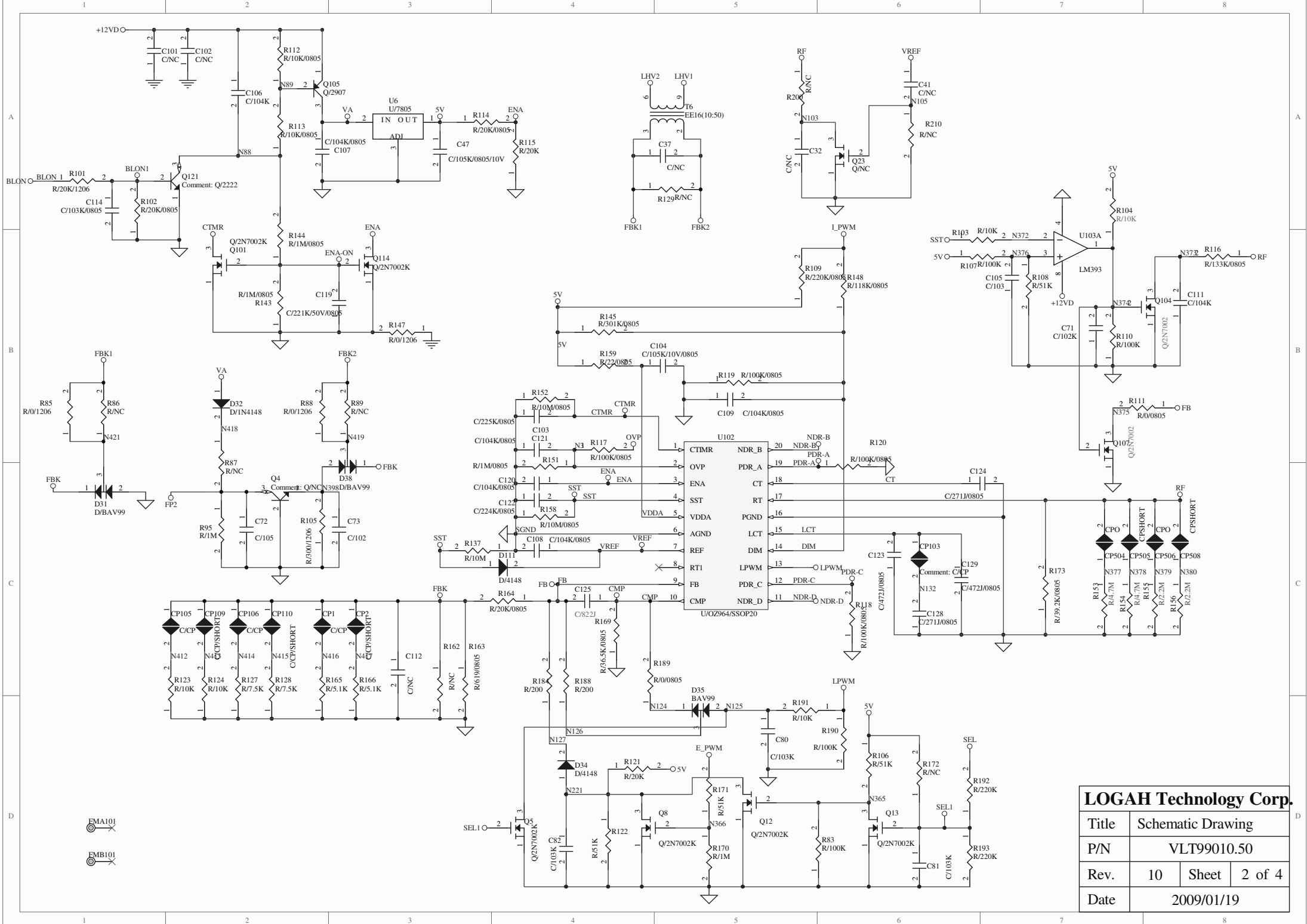
B

C

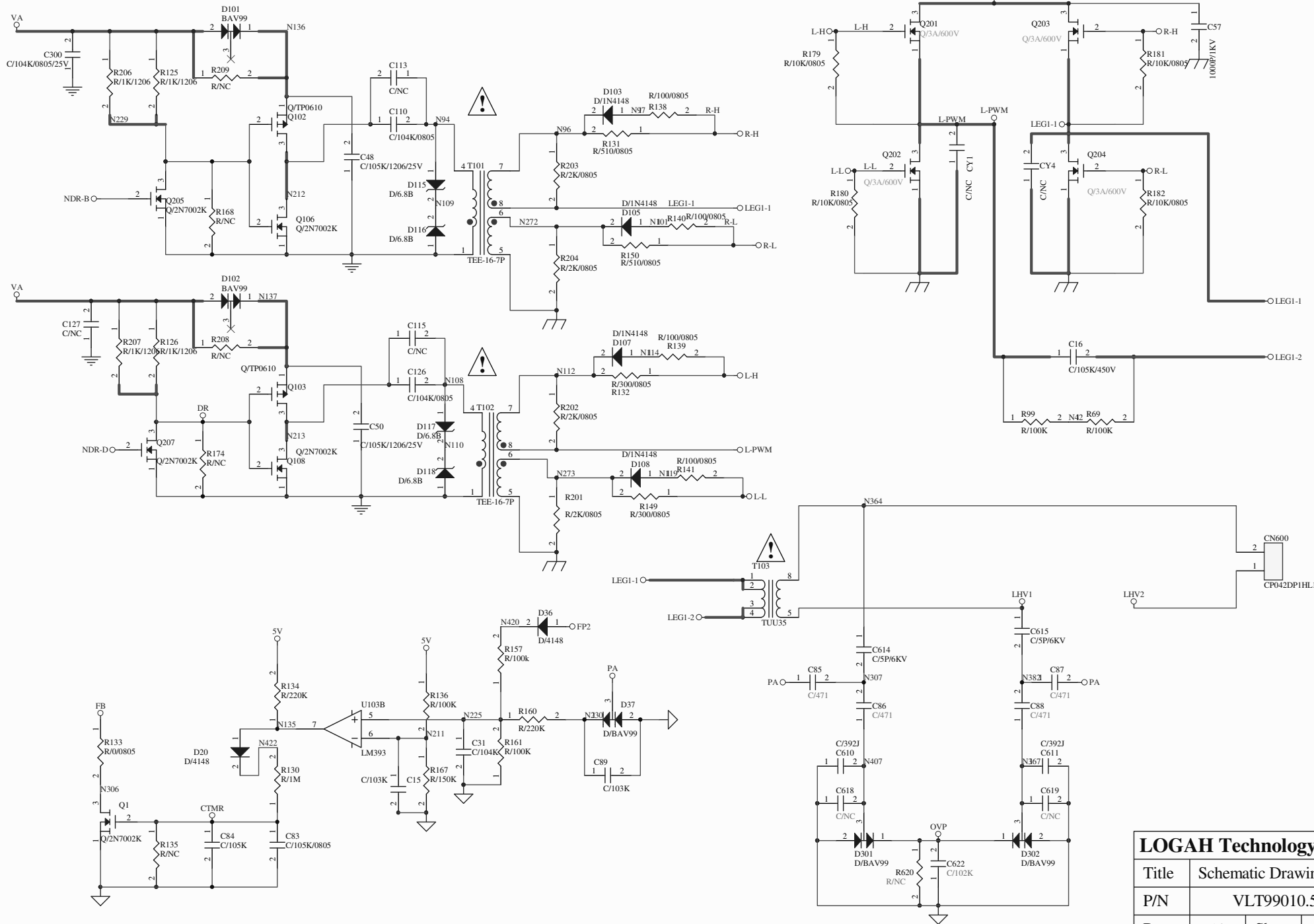
D



LOGAH Technology Corp.			
Title	Schematic Drawing		
P/N	VLT99010.50		
Rev.	10	Sheet	1 of 4
Date	2009/01/19		



LOGAH Technology Corp.			
Title	Schematic Drawing		
P/N	VLT99010.50		
Rev.	10	Sheet	2 of 4
Date	2009/01/19		



LOGAH Technology Corp.			
Title	Schematic Drawing		
P/N	VLT99010.50		
Rev.	10	Sheet	3 of 4
Date	2009/01/19		