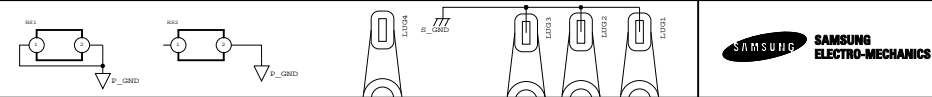
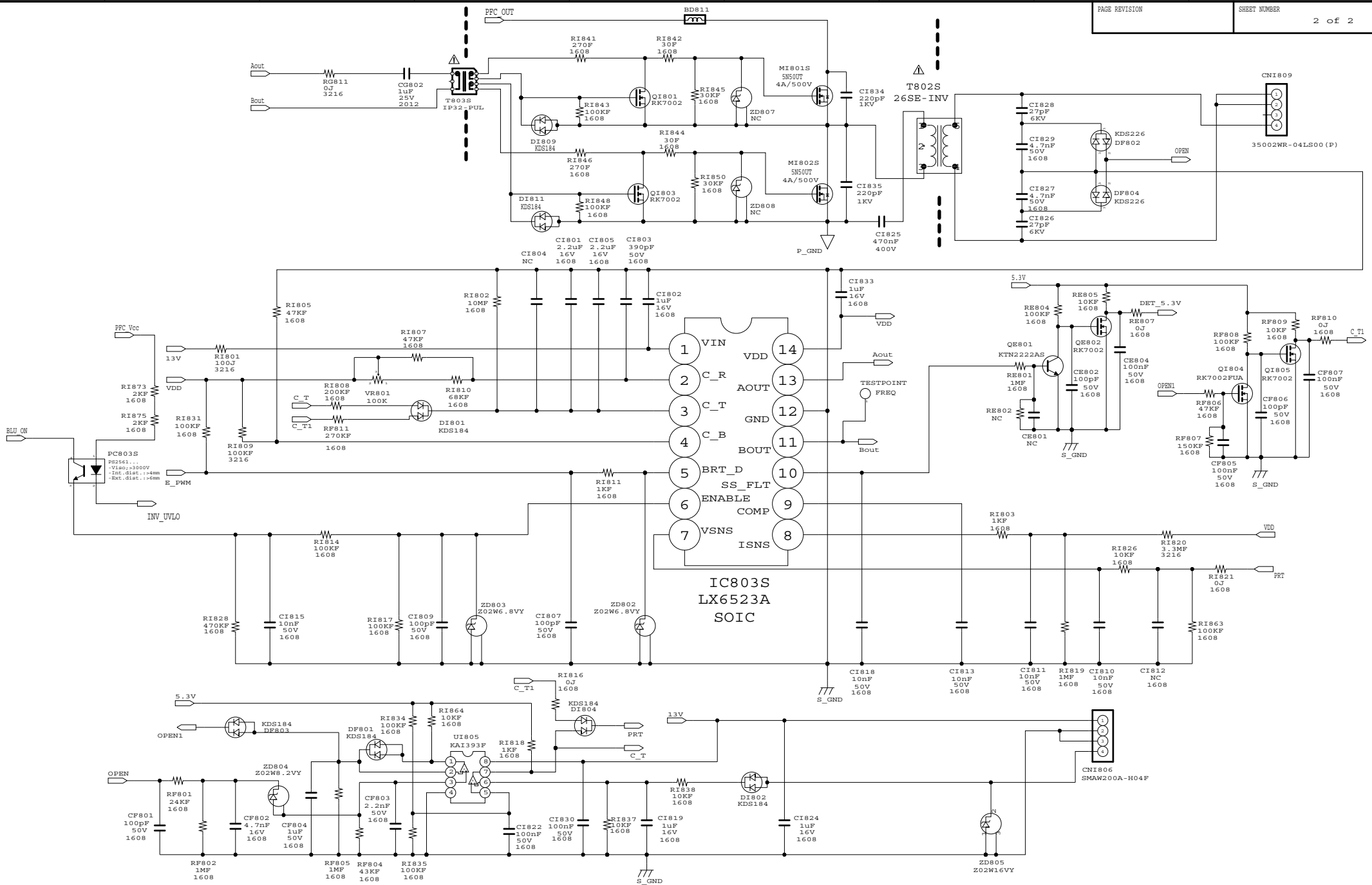


**NOTE**  
**[PFC & MULTY SECTION]**  
 NC : NO CONNECTION



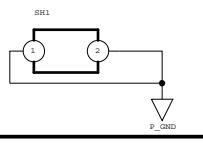
SAMSUNG ELECTRONICS		12/14/2009
I26HD_ASM (BN44-00368A)		T.Y.Yeo
PSIV101510A		R.B
		Y.K.Kang
		H.G.Choi



NOTE

[INVERTER SECTION]

NC:No connection



USER SAMSUNG ELECTRONICS		DATE 12/14/2009
MODEL NAME I26HD_ASM (BN44-00368A)	SCALE	DRAWN T. Y. Yeo
PDM NUMBER PSIV101510A	REVISION R. b	CHECKED Y. K. Kang
	LEVEL	APPROVED H. G. Choi